

CT1812SF Series

From 4.7 μ H to 1,000 μ H

SPECIFICATIONS

Parts are available in $\pm 20\%$ inductance tolerance only.

| Part Number | Inductance (μ H) | L Test Freq. (MHz) | Q Min. | SRF (MHz) Min. | DCR (Ω) Max. | IDC (mA) Max. |
|---------------|-----------------------|--------------------|--------|----------------|-----------------------|---------------|
| CT1812SF-4R7M | 4.7 | 7.96 | 6 | 50.0 | 0.90 | 471 |
| CT1812SF-8R2M | 8.2 | 7.96 | 5 | 30.0 | 0.82 | 292 |
| CT1812SF-100M | 10 | 2.52 | 8 | 25.0 | 1.80 | 333 |
| CT1812SF-150M | 15 | 2.52 | 8 | 13.0 | 2.20 | 301 |
| CT1812SF-470M | 47 | 2.52 | 10 | 11.5 | 1.20 | 120 |
| CT1812SF-560M | 56 | 2.52 | 10 | 8.00 | 3.00 | 235 |
| CT1812SF-680M | 68 | 2.52 | 15 | 9.00 | 6.00 | 130 |
| CT1812SF-820M | 82 | 2.52 | 30 | 6.00 | 12.0 | 79 |
| CT1812SF-101M | 100 | 2.52 | 30 | 6.00 | 14.0 | 73 |
| CT1812SF-121M | 120 | 0.796 | 35 | 5.00 | 3.64 | 139 |
| CT1812SF-221M | 220 | 0.796 | 40 | 4.00 | 8.00 | 150 |
| CT1812SF-471M | 470 | 0.796 | 40 | 3.30 | 14.0 | 82 |
| CT1812SF-681M | 680 | 0.796 | 40 | 2.10 | 17.0 | 90 |
| CT1812SF-821M | 820 | 0.796 | 25 | 1.45 | 16.8 | 210 |
| CT1812SF-102M | 1000 | 0.796 | 40 | 1.80 | 29.0 | 6 |

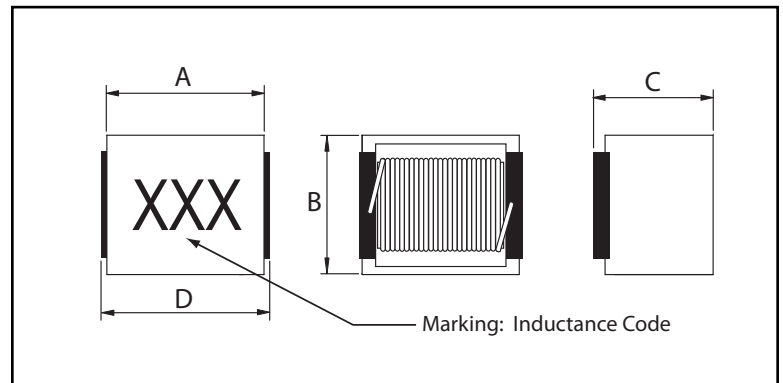


CHARACTERISTICS

- Description:** SMD Shielded Wire-wound Chip Inductor.
- Applications:** Personal computers, ADSL/VoIP, Hard disk drives, etc.
- Operating Temperature:** -35°C to +85°C
- Inductance Tolerance:** $\pm 20\%$
- Testing:** Inductance is tested on a HP4285A or a HP4286A at the specified frequency.
- Packaging:** Tape & Reel.
- Marking:** Parts are marked with inductance code.
- Miscellaneous:** **RoHS Compliant.**
- Additional Information:** Additional electrical & physical information available upon request.
- Samples available. See website for ordering information.**

PHYSICAL DIMENSIONS

| Size | A | B | C | D Max. |
|--------|-------------------|------------------|------------------|--------|
| mm | 4.5 \pm 0.4 | 3.2 \pm 0.3 | 3.2 \pm 0.3 | 5.1 |
| inches | 0.177 \pm 0.016 | 0.12 \pm 0.012 | 0.12 \pm 0.012 | 0.20 |



PAD LAYOUT

