

CTCDEP147HF Series

From 0.3 μ H to 7.3 μ H



CHARACTERISTICS

Description: SMD Power Inductor.

Applications: LCD television set, notebook PC, portable communication equipment, DC/DC converters, etc.

Operating Temperature: -30°C to +100°C (includes temp. when coil is heated)

Saturation Current: This indicates the value of current when the inductance is 25% lower than its initial value at D.C. superposition or D.C. current.

Temperature Current: To load current onto the components under normal ambience, which causes the temp. change as $\Delta T=40^{\circ}\text{C}$ or more lower current.

Inductance Tolerance: M = $\pm 20\%$, N = $\pm 30\%$

Testing: Inductance is tested on an HP4285A at 100KHz, 0.25V.

Packaging: Tape & Reel.

Marking: Parts are marked with inductance code.

Miscellaneous: **RoHS Compliant.**

Additional Information: Additional electrical & physical information available upon request.

Samples available. See website for ordering information.

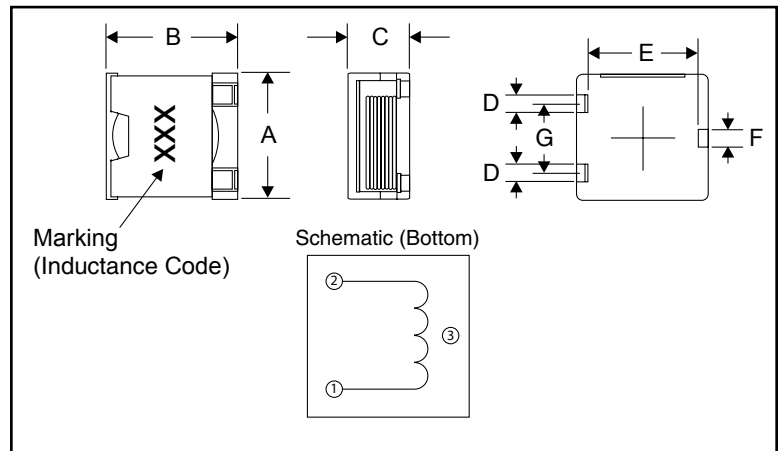
SPECIFICATIONS

Part numbers indicate inductance tolerance available.
N = $\pm 30\%$, M = $\pm 20\%$

Part Number	Inductance (μ H)	L Test Freq. (KHz)	DCR Max. (m Ω)	Saturation Current (A)	Temp. Current (A)
CTCDEP147HF-R30N	0.3	100	2.10	70.0	23.0
CTCDEP147HF-R70M	0.7	100	2.65	46.4	20.0
CTCDEP147HF-1R2M	1.2	100	3.50	35.7	19.5
CTCDEP147HF-1R8M	1.8	100	3.90	29.6	16.5
CTCDEP147HF-2R6M	2.6	100	5.50	24.4	14.0
CTCDEP147HF-3R5M	3.5	100	7.50	20.8	13.5
CTCDEP147HF-4R7M	4.7	100	7.80	17.6	11.5
CTCDEP147HF-5R9M	5.9	100	9.85	16.4	10.5
CTCDEP147HF-7R3M	7.3	100	13.3	14.6	9.00

PHYSICAL DIMENSIONS

Size	A Max.	B Max.	C Max.	D Typ.	E Typ.	F Typ.	G Typ.
mm	14.9	15.0	8.1	2.8	10.5	2.3	9.0
inches	0.58	0.59	0.32	0.11	0.41	0.09	0.35



PAD LAYOUT

