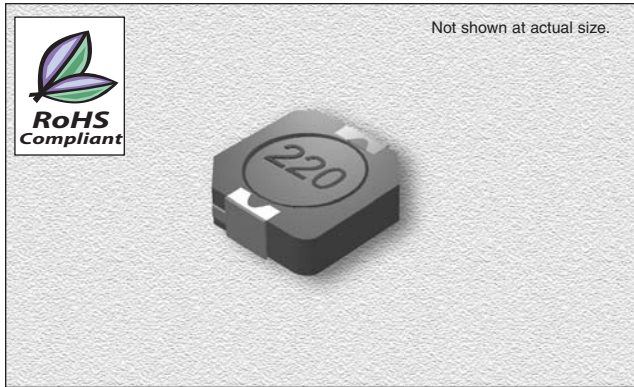


CTCDRH104RF Series

From 1.0 μH to 330 μH

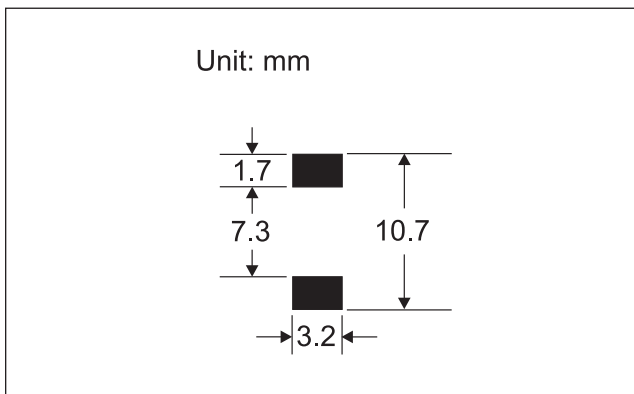
ENGINEERING KIT #41



CHARACTERISTICS

- Description:** SMD (shielded) power inductor
- Applications:** Power supplies for VTR, OA equipment, LCD televisions, PC notebooks, portable communication equipment, DC/DC converters, etc.
- Operating Temperature:** -40°C to +100°C
- Storage Temperature:** -40°C to +100°C
- Inductance Tolerance:** $\pm 30\%$
- Testing:** Tested on a HP4285A at 100 KHz , 0.25Vrms , 0Adc
- Packaging:** Tape & Reel
- Marking:** Parts are marked with inductance code
- Miscellaneous:** **RoHS Compliant.**
- Additional Information:** Additional electrical & physical information available upon request
- Samples available.** See website for ordering information.

PAD LAYOUT



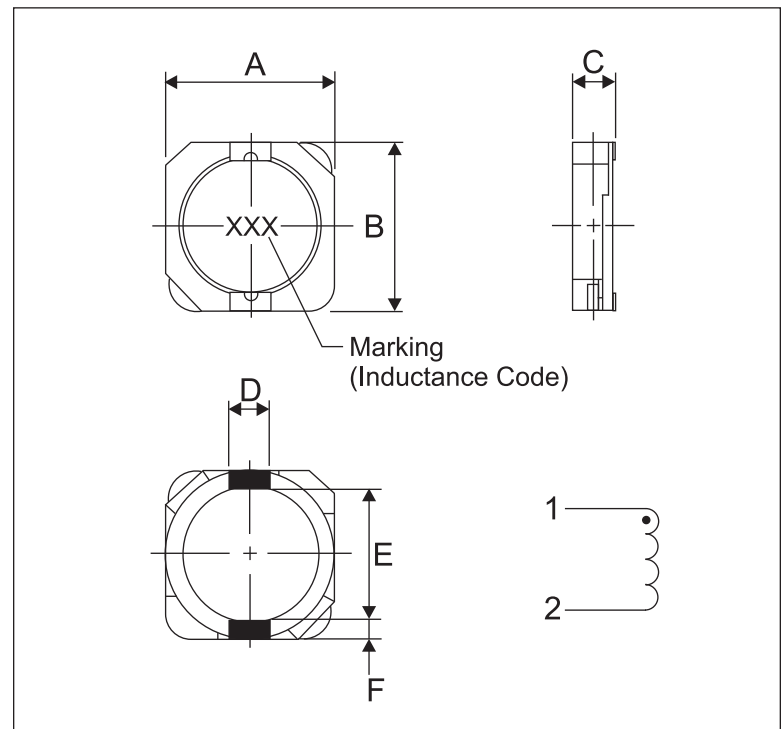
SPECIFICATIONS

Parts are available in $\pm 30\%$ tolerance only.
 *This IDC indicates the value of current when the inductance is 35% lower than the nominal value.

Part Number	Inductance ($\mu\text{H} \pm 30\%$)	L Test Freq. (kHz)	DCR Max. (m Ω)	*IDC (A)
CTCDRH104RF-1R0	1.0	100	7.0	10.1
CTCDRH104RF-1R5	1.5	100	8.1	10
CTCDRH104RF-2R5	2.5	100	10	7.5
CTCDRH104RF-3R3	3.3	100	15	7.0
CTCDRH104RF-3R8	3.8	100	15	6.0
CTCDRH104RF-4R7	4.7	100	22	5.8
CTCDRH104RF-5R2	5.2	100	22	5.7
CTCDRH104RF-5R8	5.8	100	22	5.5
CTCDRH104RF-7R0	7.0	100	27	4.8
CTCDRH104RF-100	10	100	35	4.4
CTCDRH104RF-120	12	100	46	4.0
CTCDRH104RF-150	15	100	50	3.6
CTCDRH104RF-220	22	100	73	2.9
CTCDRH104RF-270	27	100	100	2.54
CTCDRH104RF-330	33	100	93	2.3
CTCDRH104RF-470	47	100	128	2.1
CTCDRH104RF-680	68	100	213	1.5
CTCDRH104RF-101	100	100	304	1.35
CTCDRH104RF-151	150	100	506	1.15
CTCDRH104RF-221	220	100	756	0.92
CTCDRH104RF-331	330	100	1090	0.7

PHYSICAL DIMENSIONS

Size	A	B	C	D	E	F
mm	10.0 \pm 0.3	10.0 \pm 0.3	3.8 \pm 0.2	3.0 \pm 0.1	7.7 \pm 0.3	1.2 \pm 0.15
inches	0.39 \pm 0.01	0.39 \pm 0.01	0.15 \pm 0.01	0.12 \pm 0.003	0.30 \pm 0.01	0.05 \pm 0.006



04.27.15