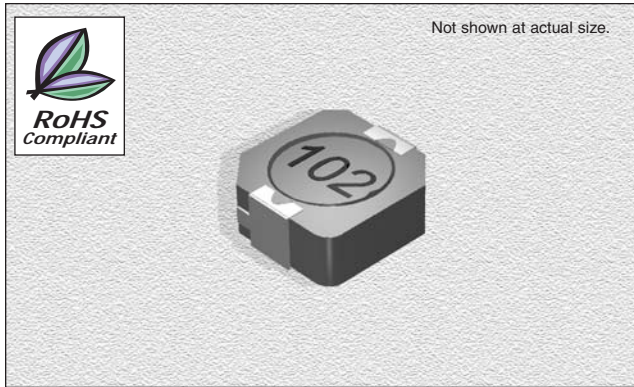


CTCDRH105RF Series

From 0.8 μH to 1000 μH

ENGINEERING KIT #42



CHARACTERISTICS

Description: SMD (shielded) power inductor

Applications: Power supplies for VTR, OA equipment, LCD televisions, PC notebooks, portable communication equipment, DC/DC converters, etc.

Operating Temperature: -40°C to +100°C

Inductance Tolerance: $\pm 30\%$

Testing: Tested on a HP4285A at 100 KHz , 0.25Vrms , 0A_{dc}

Packaging: Tape & Reel

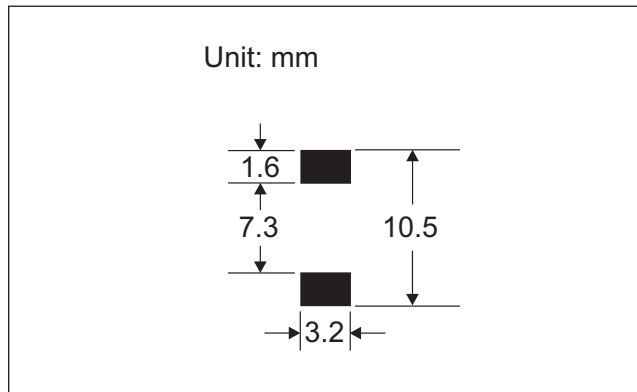
Marking: Parts are marked with inductance code

Miscellaneous: RoHS Compliant.

Additional Information: Additional electrical & physical information available upon request

Samples available. See website for ordering information.

PAD LAYOUT



SPECIFICATIONS

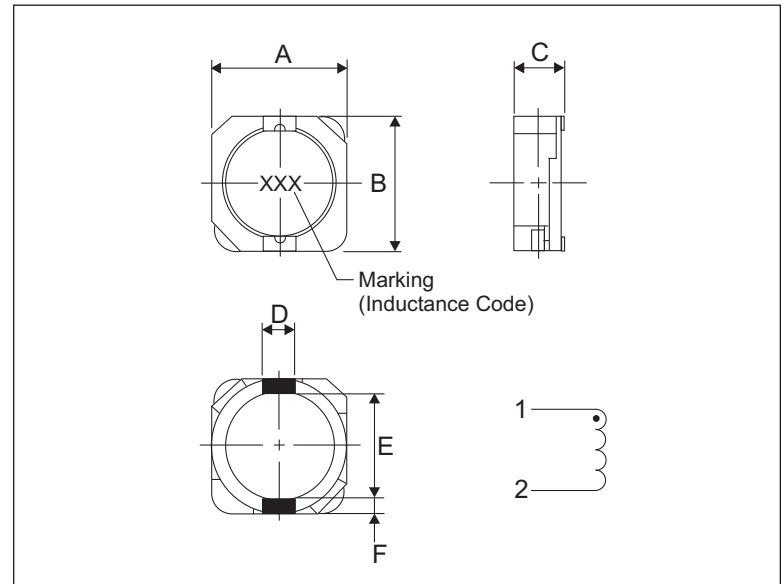
Parts are available in $\pm 30\%$ tolerance only.

*This indicates the current when the inductance decreases to 65% over it's nominal value or D.C. current when the temperature rises $\Delta T=40^\circ\text{C}$ lower, whichever is lower.

Part Number	Inductance ($\mu\text{H} \pm 30\%$)	L Test Freq. (kHz)	DCR Max. (m Ω)	*Rated DC Current (A)
CTCDRH105RF-0R8N	0.8	100	5.0	13.5
CTCDRH105RF-1R5N	1.5	100	6.0	10.5
CTCDRH105RF-2R2N	2.2	100	8.0	9.25
CTCDRH105RF-3R3N	3.3	100	11.0	8.80
CTCDRH105RF-4R7N	4.7	100	13.0	8.00
CTCDRH105RF-6R8N	6.8	100	18.0	5.50
CTCDRH105RF-8R2N	8.2	100	20.0	5.00
CTCDRH105RF-100N	10	100	26.0	4.45
CTCDRH105RF-120N	12	100	33.0	4.00
CTCDRH105RF-150N	15	100	41.0	3.60
CTCDRH105RF-180N	18	100	46.0	3.20
CTCDRH105RF-220N	22	100	61.0	2.95
CTCDRH105RF-270N	27	100	69.0	2.70
CTCDRH105RF-330N	33	100	84.0	2.40
CTCDRH105RF-390N	39	100	106.0	2.30
CTCDRH105RF-470N	47	100	130.0	2.00
CTCDRH105RF-560N	56	100	149.0	1.90
CTCDRH105RF-680N	68	100	201.0	1.65
CTCDRH105RF-820N	82	100	227.0	1.50
CTCDRH105RF-101N	100	100	253.0	1.35
CTCDRH105RF-121N	120	100	303.0	1.28
CTCDRH105RF-151N	150	100	370.0	1.12
CTCDRH105RF-181N	180	100	419.0	1.04
CTCDRH105RF-221N	220	100	500.0	0.94
CTCDRH105RF-271N	270	100	672.0	0.84
CTCDRH105RF-331N	330	100	812.0	0.75
CTCDRH105RF-391N	390	100	953.0	0.70
CTCDRH105RF-471N	470	100	1300.0	0.60
CTCDRH105RF-561N	560	100	1430.0	0.54
CTCDRH105RF-681N	680	100	1600.0	0.52
CTCDRH105RF-821N	820	100	1770.0	0.50
CTCDRH105RF-102N	1000	100	1990.0	0.48

PHYSICAL DIMENSIONS

Size	A Max.	B Max.	C Max.	D	E	F
mm	10.3	10.5	5.1	3.0 \pm 0.1	7.7 \pm 0.3	1.2 \pm 0.15
inches	0.406	0.413	0.201	0.12 \pm 0.003	0.30 \pm 0.01	0.05 \pm 0.006



08.05.09