

CTCDRH2D14F Series

From 1.5 μH to 12 μH



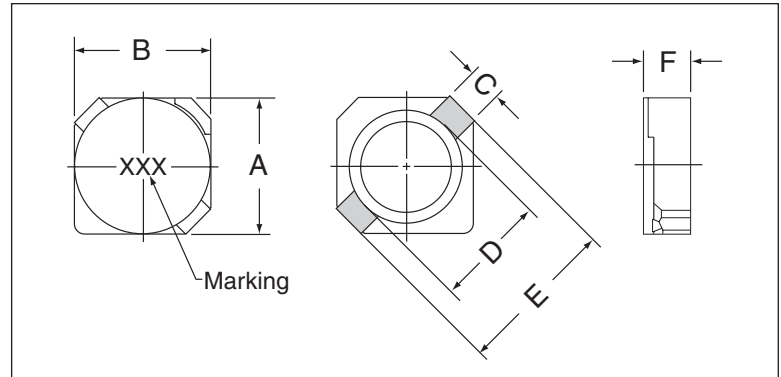
SPECIFICATIONS

Part are available in $\pm 30\%$ tolerance only

| Part Number | Inductance (μH) | Test Freq. (KHz) | DCR Max. (m Ω) | Rated DC Current (A) | Temp. Rise Current Typ. (A) |
|------------------|------------------------------|------------------|------------------------|----------------------|-----------------------------|
| CTCDRH2D14F-1R5N | 1.5 | 100 | 63 | 1.80 | 1.80 |
| CTCDRH2D14F-1R8N | 1.8 | 100 | 75 | 1.65 | 1.80 |
| CTCDRH2D14F-2R2N | 2.2 | 100 | 114 | 1.50 | 1.50 |
| CTCDRH2D14F-2R7N | 2.7 | 100 | 116 | 1.35 | 1.40 |
| CTCDRH2D14F-3R3N | 3.3 | 100 | 158 | 1.20 | 1.24 |
| CTCDRH2D14F-3R9N | 3.9 | 100 | 205 | 1.10 | 1.12 |
| CTCDRH2D14F-4R7N | 4.7 | 100 | 238 | 1.00 | 1.00 |
| CTCDRH2D14F-5R6N | 5.6 | 100 | 256 | 0.95 | 0.98 |
| CTCDRH2D14F-6R8N | 6.8 | 100 | 282 | 0.85 | 0.92 |
| CTCDRH2D14F-8R2N | 8.2 | 100 | 307 | 0.80 | 0.80 |
| CTCDRH2D14F-100N | 10 | 100 | 338 | 0.70 | 0.76 |
| CTCDRH2D14F-120N | 12 | 100 | 470 | 0.62 | 0.64 |

PHYSICAL DIMENSIONS

| Size | A Max. | B Max. | C | D | E | F Max. |
|--------|--------|--------|------|------|-------|--------|
| mm | 3.2 | 3.2 | 1.0 | 2.1 | 3.3 | 1.55 |
| inches | 0.126 | 0.126 | 0.04 | 0.08 | 0.130 | 0.061 |



CHARACTERISTICS

Description: SMD (shielded) power inductor

Applications: Power supplies for VTR, OA equipment, LCD televisions, PC notebooks, portable communication equipment, DC/DC converters, etc.

Operating Temperature: -30°C to $+100^{\circ}\text{C}$

Rated Current: The rated current indicates the current when the inductance decreases to 65% over it's nominal or D.C. current when the temperature rising $\Delta T=40^{\circ}\text{C}$ lower, whichever is lower.

Inductance Tolerance: $\pm 30\%$

Testing: Tested on a HP4285A at 100 KHz , 0.25Vrms , 0Adc

Packaging: Tape & Reel

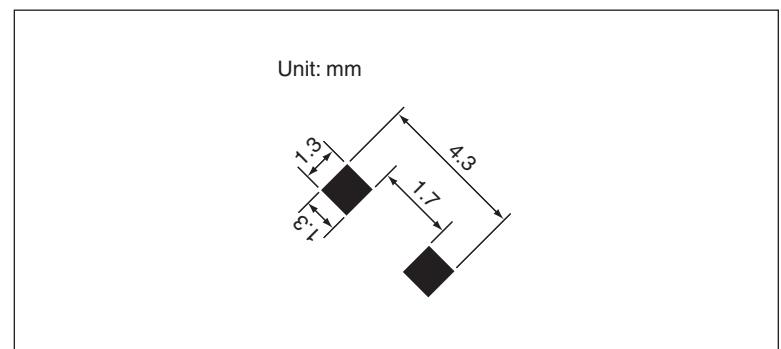
Marking: Parts are marked with inductance code.

Miscellaneous: RoHS Compliant

Additional Information: Additional electrical & physical information available upon request

Samples available. See website for ordering information.

PAD LAYOUT



12.26.06