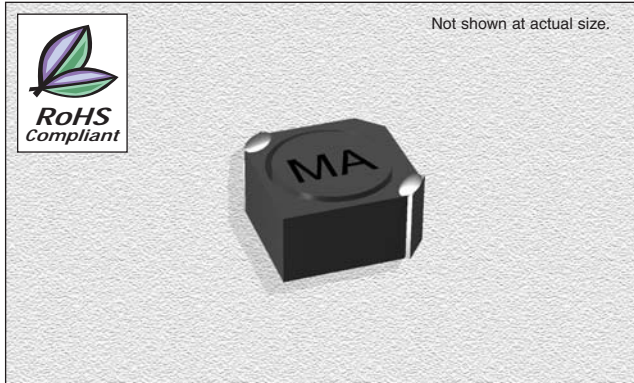


CTCDRH2D18/LDF Series

From 2.2 μH to 47 μH



CHARACTERISTICS

- Description:** SMD (shielded) power inductor
- Applications:** Power supplies for VTR, OA equipment, LCD televisions, PC notebooks, portable communication equipment, DC/DC converters, etc.
- Operating Temperature:** -30°C to +100°C
- Rated DC Current:** Inductance drop = 35% typ.
- Irms:** $\Delta T = 40^\circ\text{C}$
- Inductance Tolerances:** $\pm 20\%$, $\pm 30\%$
- Testing:** Tested on a HP4285A at 100 KHz , 0.25Vrms , 0Adc
- Packaging:** Tape & Reel
- Marking:** Parts are marked with letter identifiers.
- Miscellaneous:** **RoHS Compliant available**
- Additional Information:** Additional electrical & physical information available upon request
- Samples available. See website for ordering information.**

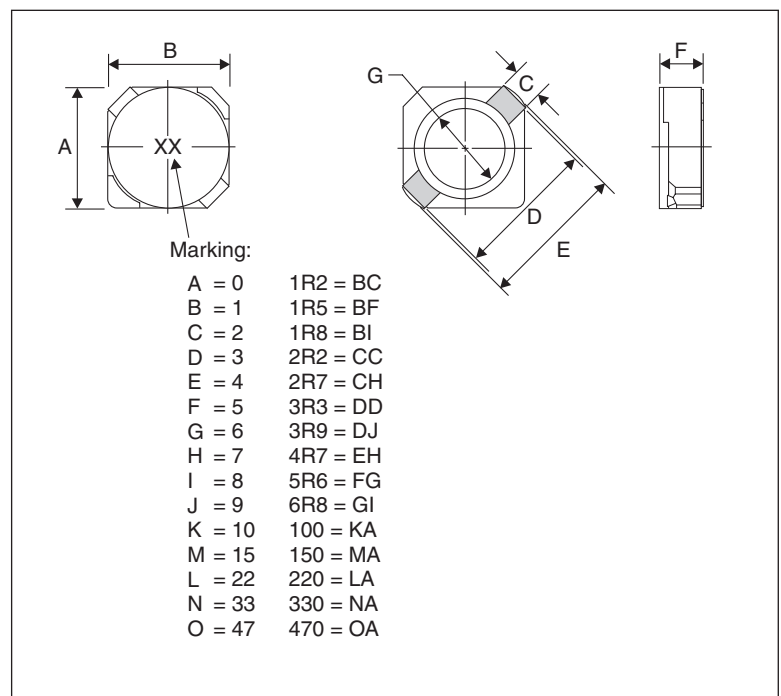
SPECIFICATIONS

Please specify inductance tolerance code when ordering.
CTCDRH2D18/LDF-2R2_ \leftarrow M = $\pm 20\%$, N = $\pm 30\%$

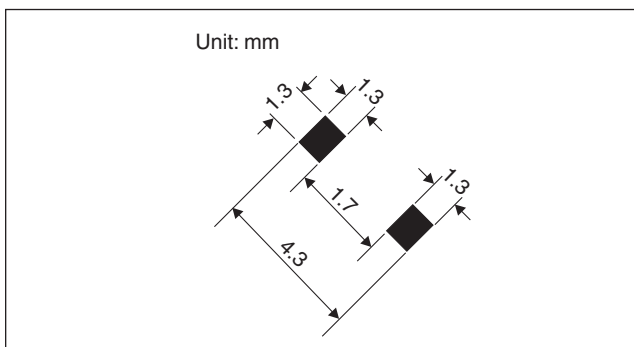
Part Number	Inductance (μH)	L Test Freq. (kHz)	DCR Max. (m Ω)	Rated DC Current (mA)	Irms Typ. (mA)
CTCDRH2D18/LDF-2R2_	2.2	100	41	850	2300
CTCDRH2D18/LDF-3R3_	3.3	100	54	750	2100
CTCDRH2D18/LDF-4R7_	4.7	100	78	630	1650
CTCDRH2D18/LDF-6R8_	6.8	100	106	520	1320
CTCDRH2D18/LDF-100_	10	100	180	430	1000
CTCDRH2D18/LDF-150_	15	100	220	350	800
CTCDRH2D18/LDF-220_	22	100	320	300	680
CTCDRH2D18/LDF-330_	33	100	460	240	560
CTCDRH2D18/LDF-470_	47	100	660	200	480

PHYSICAL DIMENSIONS

Size	A Max.	B Max.	C	D	E Max.	F Max.	G
mm	3.2	3.2	1.0	3.3	4.5	2.0	2.1
inches	0.126	0.126	0.04	0.13	0.18	0.078	0.08



PAD LAYOUT



12.27.07