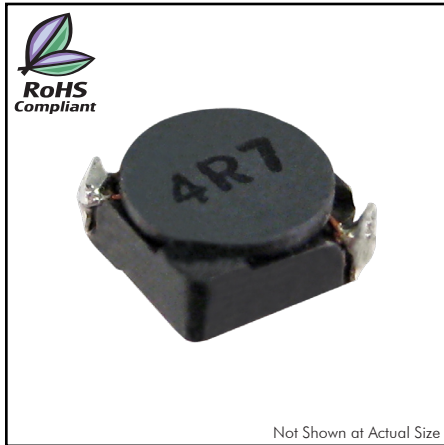


CTCDRH3D16/ HPF Series From 1.7 μH to 33 μH



CHARACTERISTICS

- Description:** SMD (shielded) power inductor.
- Applications:** Mobile phone, PDA, MP3, DSC/DVC, portable DVD, DC/DC converters, etc.
- Operating Temperature:** -40°C to +85°C
- Isat:** Inductance drops no more than 35% of initial value at Isat.
- Rated Current:** Temperature rises $\Delta T < 40^\circ\text{C}$ at rated current.
- Resistance to Solder Heat:** 260°C, 10 seconds, 2 cycles.
- Inductance Tolerance:** $\pm 20\%$, $\pm 30\%$
- Testing:** Tested on a HP4285A at 100KHz, 1Vrms, 0Adc.
- Packaging:** Tape & Reel.
- Marking:** Parts are marked with inductance code.
- Miscellaneous:** RoHS Compliant.
- Additional Information:** Additional electrical & physical information available upon request.
- Samples available. See website for ordering information.**

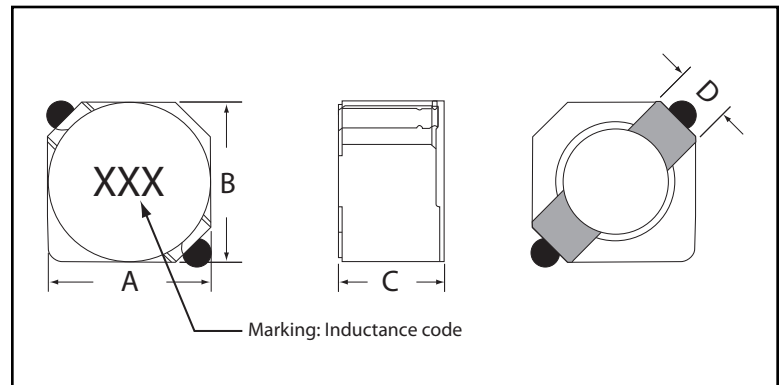
SPECIFICATIONS

Part numbers indicate available inductance tolerance:
M = $\pm 20\%$, N = $\pm 30\%$

Part Number	Inductance (μH)	Test Freq. (KHz)	DCR Max. (Ω)	Isat (A)	Temp. Rise Current (A)
CTCDRH3D16/HPF-1R7N	1.7	100	0.051	2.00	2.40
CTCDRH3D16/HPF-2R2N	2.2	100	0.059	1.75	2.30
CTCDRH3D16/HPF-3R3N	3.3	100	0.085	1.40	1.80
CTCDRH3D16/HPF-4R7N	4.7	100	0.116	1.20	1.50
CTCDRH3D16/HPF-6R8N	6.8	100	0.180	1.00	1.10
CTCDRH3D16/HPF-100M	10	100	0.230	0.84	1.00
CTCDRH3D16/HPF-150M	15	100	0.410	0.65	0.75
CTCDRH3D16/HPF-220M	22	100	0.610	0.55	0.52
CTCDRH3D16/HPF-330M	33	100	0.870	0.46	0.41

PHYSICAL DIMENSIONS

Size	A Max.	B Max.	C	D
mm	4.1	4.1	1.65 \pm 0.15	1.1 \pm 0.2
inches	0.16	0.16	0.065 \pm 0.006	0.043 \pm 0.0079



PAD LAYOUT

