

CTCDRH6D28F Series

From 3.0 μH to 150 μH

ENGINEERING KIT #45F



CHARACTERISTICS

- Description:** SMD (shielded) power inductor.
- Applications:** Power supplies for VTR, OA equipment, LCD televisions, PC notebooks, portable communication equipment, DC/DC converters, etc.
- Operating Temperature:** -40°C to $+80^{\circ}\text{C}$
- Storage Temperature:** -40°C to $+80^{\circ}\text{C}$
- Inductance Tolerance:** $\pm 30\%$
- Testing:** Tested on a HP4284A at 10KHz , 0.25Vrms , 0Adc.
- Packaging:** Tape & Reel.
- Marking:** Parts are marked with inductance code.
- Rated DC Current:** Indicates the current when the inductance decreases to 65% of its initial value or D.C. current when the temperature of coil is increased by 30% the smaller one is defined as rated current.
- Miscellaneous:** **RoHS Compliant.**
- Additional Information:** Additional electrical & physical information available upon request.
- Samples available. See website for ordering information.**

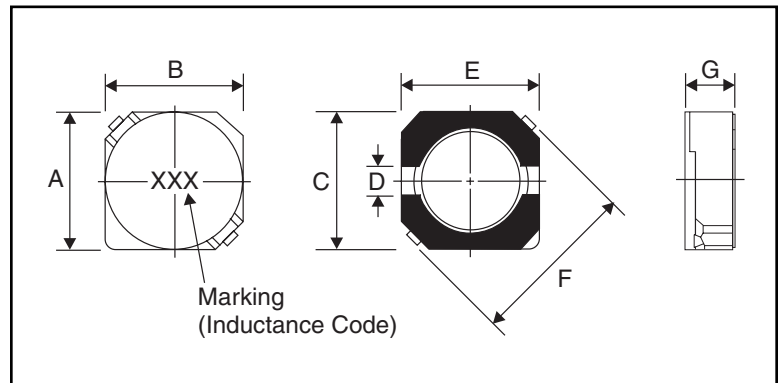
SPECIFICATIONS

Parts are available in $\pm 30\%$ tolerance only.

Part Number	Inductance ($\mu\text{H} \pm 30\%$)	L Test Freq. (KHz)	DCR Max. (m Ω)	Rated DC Current (A)
CTCDRH6D28F-3R0N	3.0	10	24	3.00
CTCDRH6D28F-3R9N	3.9	10	27	2.60
CTCDRH6D28F-5R0N	5.0	10	31	2.40
CTCDRH6D28F-6R0N	6.0	10	35	2.25
CTCDRH6D28F-7R3N	7.3	10	54	2.10
CTCDRH6D28F-8R6N	8.6	10	58	1.85
CTCDRH6D28F-100N	10	10	65	1.70
CTCDRH6D28F-120N	12	10	70	1.55
CTCDRH6D28F-150N	15	10	84	1.40
CTCDRH6D28F-180N	18	10	95	1.32
CTCDRH6D28F-220N	22	10	128	1.20
CTCDRH6D28F-270N	27	10	142	1.05
CTCDRH6D28F-330N	33	10	165	0.97
CTCDRH6D28F-390N	39	10	210	0.86
CTCDRH6D28F-470N	47	10	238	0.80
CTCDRH6D28F-560N	56	10	277	0.73
CTCDRH6D28F-680N	68	10	304	0.65
CTCDRH6D28F-820N	82	10	390	0.60
CTCDRH6D28F-101N	100	10	535	0.54
CTCDRH6D28F-121N	120	10	580	0.45
CTCDRH6D28F-151N	150	10	615	0.42

PHYSICAL DIMENSIONS

Size	A	B	C	D	E	F	G
						Max.	Max.
mm	6.7 \pm 0.3	6.7 \pm 0.3	6.5	2.0	6.5	9.5	3.0
inches	0.26 \pm 0.01	0.26 \pm 0.01	0.255	0.08	0.255	0.37	0.12



PAD LAYOUT

