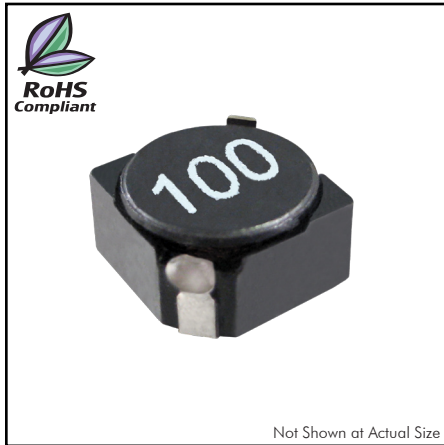


CTCDRH6D38F Series

From 3.3 μ H to 100 μ H

ENGINEERING KIT #45F



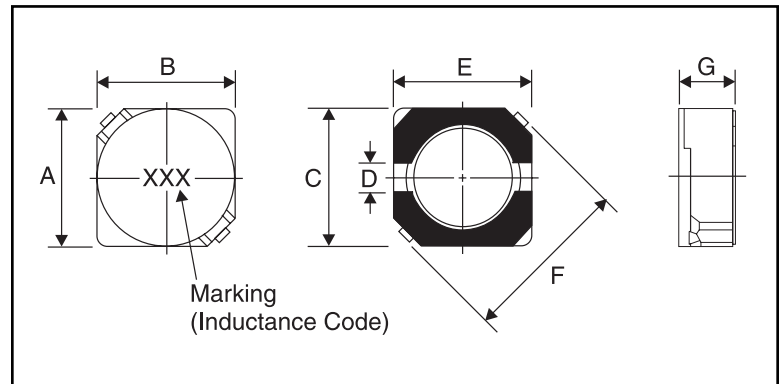
SPECIFICATIONS

Parts are available in $\pm 30\%$ tolerance only.

Part Number	Inductance (μ H $\pm 30\%$)	L Test Freq. (KHz)	DCR Max. (m Ω)	Rated DC Current (A)
CTCDRH6D38F-3R3N	3.3	10	20	3.5
CTCDRH6D38F-5R0N	5.0	10	24	2.9
CTCDRH6D38F-6R2N	6.2	10	27	2.5
CTCDRH6D38F-7R4N	7.4	10	31	2.3
CTCDRH6D38F-8R7N	8.7	10	34	2.2
CTCDRH6D38F-100N	10	10	38	2.0
CTCDRH6D38F-120N	12	10	53	1.7
CTCDRH6D38F-150N	15	10	57	1.6
CTCDRH6D38F-180N	18	10	92	1.5
CTCDRH6D38F-220N	22	10	96	1.3
CTCDRH6D38F-270N	27	10	109	1.2
CTCDRH6D38F-330N	33	10	124	1.1
CTCDRH6D38F-390N	39	10	138	1.0
CTCDRH6D38F-470N	47	10	155	.95
CTCDRH6D38F-560N	56	10	202	.85
CTCDRH6D38F-680N	68	10	234	.75
CTCDRH6D38F-820N	82	10	324	.70
CTCDRH6D38F-101N	100	10	358	.65

PHYSICAL DIMENSIONS

Size	A	B	C	D	E	F Max.	G Max.
mm	6.7 \pm 0.3	6.7 \pm 0.3	6.5	2.0	6.5	9.5	4.0
inches	0.26 \pm 0.01	0.26 \pm 0.01	0.255	0.08	0.255	0.37	0.16



CHARACTERISTICS

- Description:** SMD (shielded) power inductor.
- Applications:** Power supplies for VTR, OA equipment, LCD televisions, PC notebooks, portable communication equipment, DC/DC converters, etc.
- Operating Temperature:** -30°C to +110°C
- Inductance Tolerance:** $\pm 30\%$
- Testing:** Tested on a HP4284A at 10KHz , 0.25Vrms , 0Adc.
- Packaging:** Tape & Reel.
- Marking:** Parts are marked with inductance code.
- Rated DC Current:** Indicates the current when the inductance decreases to 65% of its initial value or D.C. current when the temperature of coil is increased by 30% the smaller one is defined as rated current.
- Miscellaneous:** RoHS Compliant.
- Additional Information:** Additional electrical & physical information available upon request.
- Samples available. See website for ordering information.**

PAD LAYOUT

