

CTCDRH73BF Series

From 10 μ H to 1000 μ H



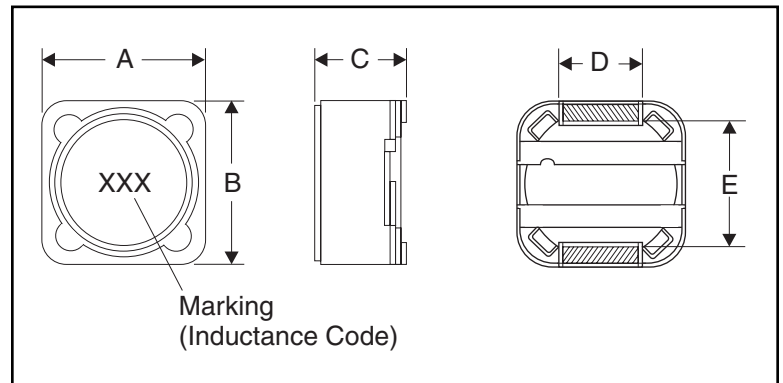
SPECIFICATIONS

Parts are available in $\pm 20\%$ inductance tolerance.

Part Number	Inductance (μ H)	L Test Freq. (KHz)	DCR Max. (Ω)	IDC Max. (A)
CTCDRH73BF-100M	10	1.0	.07	1.7
CTCDRH73BF-120M	12	1.0	.10	1.5
CTCDRH73BF-150M	15	1.0	.13	1.3
CTCDRH73BF-180M	18	1.0	.14	1.2
CTCDRH73BF-220M	22	1.0	.19	1.1
CTCDRH73BF-270M	27	1.0	.21	.96
CTCDRH73BF-330M	33	1.0	.24	.91
CTCDRH73BF-390M	39	1.0	.32	.77
CTCDRH73BF-470M	47	1.0	.36	.76
CTCDRH73BF-560M	56	1.0	.47	.68
CTCDRH73BF-680M	68	1.0	.52	.61
CTCDRH73BF-820M	82	1.0	.69	.57
CTCDRH73BF-101M	100	1.0	.79	.50
CTCDRH73BF-121M	120	1.0	.89	.49
CTCDRH73BF-151M	150	1.0	1.3	.43
CTCDRH73BF-181M	180	1.0	1.5	.39
CTCDRH73BF-221M	220	1.0	1.7	.35
CTCDRH73BF-271M	270	1.0	2.3	.32
CTCDRH73BF-331M	330	1.0	2.6	.28
CTCDRH73BF-391M	390	1.0	2.9	.26
CTCDRH73BF-471M	470	1.0	4.2	.24
CTCDRH73BF-561M	560	1.0	4.7	.22
CTCDRH73BF-681M	680	1.0	5.7	.19
CTCDRH73BF-821M	820	1.0	6.5	.18
CTCDRH73BF-102M	1000	1.0	9.4	.16

PHYSICAL DIMENSIONS

Size	A Max.	B Max.	C Max.	D	E
mm	7.5	7.5	3.4	2.7 \pm 0.5	5.4 \pm 0.2
inches	0.3	0.3	0.13	0.11 \pm 0.02	0.21 \pm 0.008



CHARACTERISTICS

- Description:** SMD (shielded) power inductor.
- Applications:** Power supplies for VTR, OA equipment, LCD televisions, PC notebooks, portable communication equipment, DC/DC converters, etc.
- Operating Temperature:** -40°C to +85°C
- Inductance Tolerance:** $\pm 20\%$
- Testing:** Inductance is tested on an HP4284A at 1.0KHz.
- Packaging:** Tape & Reel.
- Marking:** Parts are marked with inductance code.
- Miscellaneous:** Magnetically shielded.
- Miscellaneous:** RoHS Compliant.
- Additional Information:** Additional electrical & physical information available upon request.
- Samples available.** See website for ordering information.