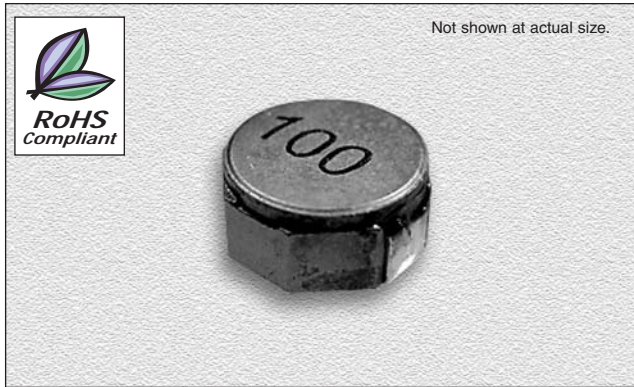


CTCDRH8D38F Series

From 1.8 μH to 100 μH



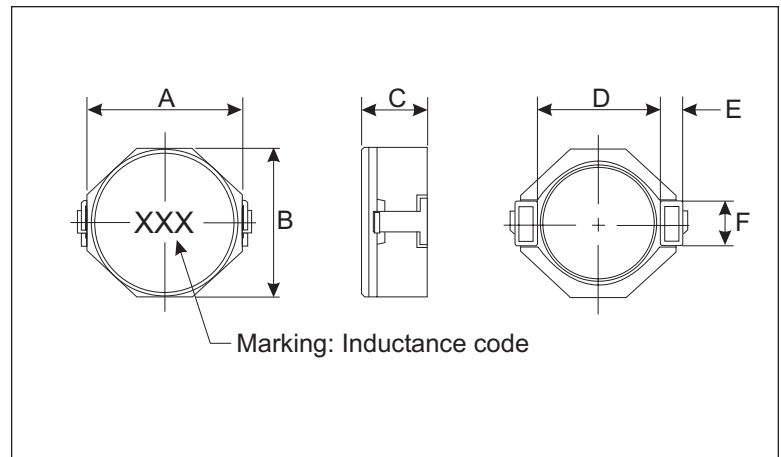
SPECIFICATIONS

Part are available in $\pm 30\%$ inductance tolerance only

Part Number	Inductance (μH)	L Test Freq. (kHz)	DCR Max. (m Ω)	Rated DC Current (A)
CTCDRH8D38F-1R8N	1.8	100	15.6	7.00
CTCDRH8D38F-2R5N	2.5	100	17.5	6.50
CTCDRH8D38F-3R5N	3.5	100	24.0	5.00
CTCDRH8D38F-4R7N	4.7	100	29.0	4.60
CTCDRH8D38F-6R0N	6.0	100	32.0	4.20
CTCDRH8D38F-10N	10	100	48.0	3.00
CTCDRH8D38F-150N	15	100	67.0	2.75
CTCDRH8D38F-220N	22	100	105	2.30
CTCDRH8D38F-330N	33	100	157	1.75
CTCDRH8D38F-470N	47	100	189	1.52
CTCDRH8D38F-680N	68	100	290	1.30
CTCDRH8D38F-101N	100	100	410	1.05

PHYSICAL DIMENSIONS

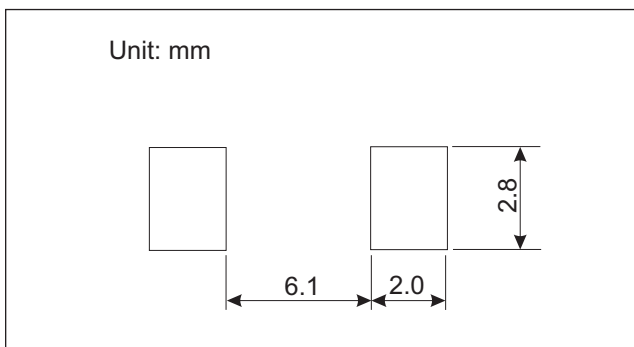
Size	A Max.	B Max.	C Max.	D Ref.	E Ref.	F Ref.
mm	8.3	8.3	4.0	5.8	2.5	1.2
inches	0.327	0.327	0.157	0.228	0.098	0.047



CHARACTERISTICS

- Description:** SMD (shielded) power inductor
- Applications:** Power supplies for VTR, OA equipment, LCD televisions, PC notebooks, portable communication equipment, DC/DC converters, etc.
- Operating Temperature:** -40°C to $+85^{\circ}\text{C}$
- Storage Temperature:** -40°C to $+125^{\circ}\text{C}$
- Rated DC Current:** Indicates the current when the inductance decreases to 35% from it's value without current
- Inductance Tolerance:** $\pm 30\%$
- Testing:** Tested on a HP4285A at 100 KHz , 0.1Vrms , 0Adc
- Packaging:** Tape & Reel
- Marking:** Parts are marked with inductance code
- Miscellaneous:** **RoHS Compliant available**
- Additional Information:** Additional electrical & physical information available upon request
- Samples available. See website for ordering information.**

PAD LAYOUT



01.16.08