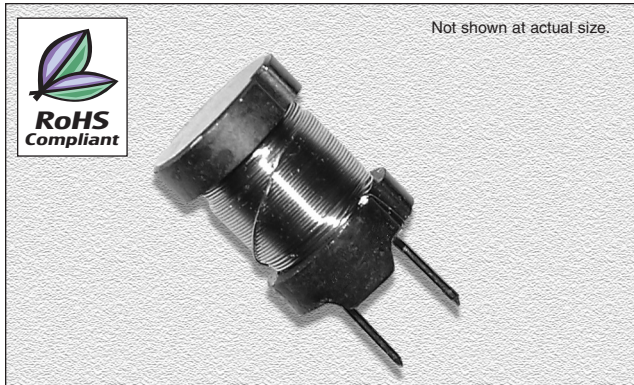


CTCH114F Series

From 6.3 μH to 39,000 μH

SPECIFICATIONS

Parts numbers indicate available inductance tolerance.
L = $\pm 15\%$, M = $\pm 20\%$



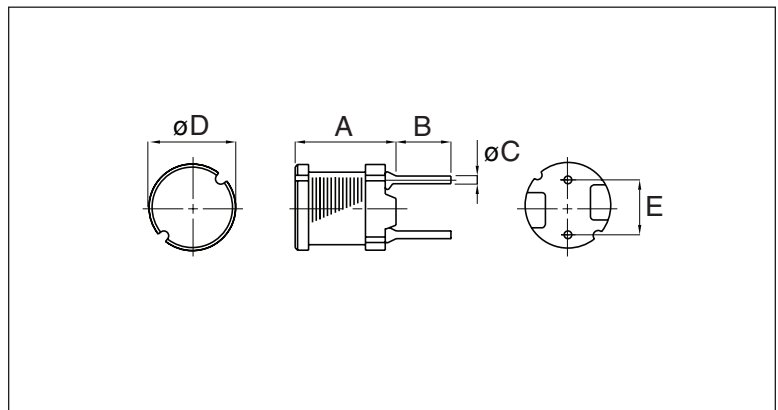
CHARACTERISTICS

- Description:** Radial leaded fixed inductor
- Applications:** High reliability, efficiency and saturation. Ideal for use as a power choke coil in switching power supply, TV sets, video appliances, and industrial equipment as well as use as a peaking coil in filtering applications
- Inductance Tolerance:** $\pm 15\%$, $\pm 20\%$
- Testing:** Tested on a HP4285A or HP4284A at specified frequency
- Packaging:** Bulk packaging
- Rated Current:** The rated D.C. current indicates the value of current when the inductance is 10% lower than its initial value at D.C. superposition or D.C. current when at $\Delta t=40^\circ\text{C}$ whichever is lower. ($T_a=20^\circ\text{C}$)
- Miscellaneous:** RoHS Compliant
- Additional Information:** Additional electrical & physical information available upon request
- Samples available. See website for ordering information.**

Part Number	Inductance (μH)	Test Freq. (Hz)	DCR Max. (Ω)	Rated DC (A)
CTCH114F-6R3M	6.3	2.52M	0.026	4.30
CTCH114F-7R5M	7.5	2.52M	0.029	4.20
CTCH114F-8R8M	8.8	2.52M	0.030	4.10
CTCH114F-100M	10	2.52M	0.033	4.00
CTCH114F-120M	12	2.52M	0.035	3.90
CTCH114F-150M	15	2.52M	0.039	3.70
CTCH114F-180M	18	2.52M	0.047	3.50
CTCH114F-220M	22	2.52M	0.051	3.30
CTCH114F-270M	27	2.52M	0.057	3.10
CTCH114F-330M	33	2.52M	0.064	2.90
CTCH114F-390M	39	2.52M	0.074	2.70
CTCH114F-470M	47	2.52M	0.083	2.50
CTCH114F-560L	56	2.52M	0.104	2.30
CTCH114F-680L	68	2.52M	0.117	2.10
CTCH114F-820L	82	2.52M	0.130	1.90
CTCH114F-101L	100	1.00k	0.143	1.70
CTCH114F-121L	120	1.00k	0.195	1.50
CTCH114F-151L	150	1.00k	0.221	1.40
CTCH114F-181L	180	1.00k	0.260	1.30
CTCH114F-221L	220	1.00k	0.350	1.20
CTCH114F-271L	270	1.00k	0.390	1.10
CTCH114F-331L	330	1.00k	0.520	1.00
CTCH114F-391L	390	1.00k	0.570	0.92
CTCH114F-471L	470	1.00k	0.650	0.84
CTCH114F-561L	560	1.00k	0.790	0.75
CTCH114F-681L	680	1.00k	0.960	0.69
CTCH114F-821L	820	1.00k	1.220	0.62
CTCH114F-102L	1000	1.00k	1.600	0.52
CTCH114F-122L	1200	1.00k	2.200	0.46
CTCH114F-152L	1500	1.00k	2.500	0.41
CTCH114F-182L	1800	1.00k	2.900	0.36
CTCH114F-222L	2200	1.00k	3.200	0.32
CTCH114F-272L	2700	1.00k	3.700	0.29
CTCH114F-332L	3300	1.00k	5.000	0.27
CTCH114F-392L	3900	1.00k	5.600	0.25
CTCH114F-472L	4700	1.00k	7.400	0.23
CTCH114F-562L	5600	1.00k	8.200	0.21
CTCH114F-682L	6800	1.00k	11.900	0.19
CTCH114F-822L	8200	1.00k	14.000	0.17
CTCH114F-103L	10000	1.00k	16.000	0.16
CTCH114F-123L	12000	1.00k	21.000	0.15
CTCH114F-153L	15000	1.00k	24.000	0.14
CTCH114F-183L	18000	1.00k	27.000	0.13
CTCH114F-223L	22000	1.00k	34.000	0.12
CTCH114F-273L	27000	1.00k	39.000	0.11
CTCH114F-333L	33000	1.00k	51.000	0.10
CTCH114F-393L	39000	1.00k	58.000	0.09

PHYSICAL DIMENSIONS

Size	A	B	C	D	E
	Max.				
mm	14.4	5.0 \pm 1.0	0.7+0.1,-0.05	10.0 \pm 0.5	5.0 \pm 0.3
inches	0.57	0.20 \pm 0.04	0.027+0.004,-0.002	0.40 \pm 0.02	0.20 \pm 0.012



02.22.07