

## CTCM01F Series

From 60 Ω to 160 Ω

### SPECIFICATIONS

| Part Number  | Impedance (Ω) | Impedance tolerance ±20% |               |                     |              |                                 |
|--------------|---------------|--------------------------|---------------|---------------------|--------------|---------------------------------|
|              |               | Test Freq. (MHz)         | IDC Max. (mA) | Rated Voltage (VDC) | DCR Max. (Ω) | Insulation Resistance Min. (MΩ) |
| CTCM01F-600M | 60            | 100                      | 300           | 20                  | 0.40         | 10                              |
| CTCM01F-670M | 67            | 100                      | 300           | 50                  | 0.25         | 10                              |
| CTCM01F-900M | 90            | 100                      | 250           | 50                  | 0.30         | 10                              |
| CTCM01F-121M | 120           | 100                      | 200           | 50                  | 0.40         | 10                              |
| CTCM01F-161M | 160           | 100                      | 160           | 50                  | 0.43         | 10                              |



### CHARACTERISTICS

**Description:** SMD Common Mode Choke.

**Applications:** USB line for personal computers and peripherals, DVC, STB and LVDS, panel line for liquid display panels, USB3.0, etc.

**Operating Temperature:** -40°C to +105°C (includes self temp. rise)

**Impedance Tolerance:** ±20%

**Testing:** Impedance is tested on an HP4287A at 100MHz.

**Packaging:** Tape & Reel.

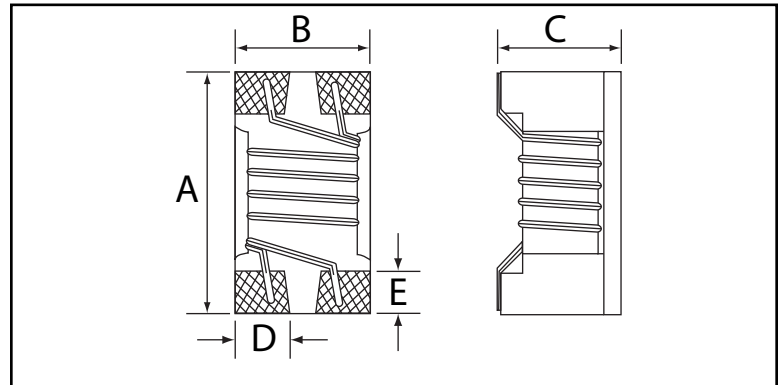
**Miscellaneous:** **RoHS Compliant.** Other values available.

**Additional Information:** Additional electrical & physical information available upon request.

**Samples available. See website for ordering information.**

### PHYSICAL DIMENSIONS

| Size   | A           | B          | C           | D      | E     |
|--------|-------------|------------|-------------|--------|-------|
| mm     | 1.25±0.2    | 1.00±0.2   | 0.8±0.1     | 0.32   | 0.33  |
| inches | 0.050±0.008 | 0.04±0.008 | 0.031±0.004 | 0.0126 | 0.013 |



### PAD LAYOUT

