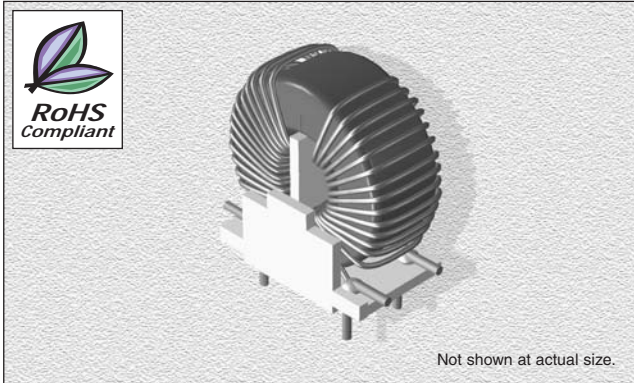


## CTCMH

Toroidal Common Mode Choke

From 0.580 mH to 10.8 mH



### SPECIFICATIONS

Part Number	Inductance Min. (mH)	Current Rating (Amp.)	Leakage Ind. Max. (µH)	DCR Max. (mΩ)	SRF Typ. (MHz)	Lead Dia. Nom. (mm)
CTCMH3219F-1	10.8	1.3	165	290	0.125	1.29
CTCMH3220F-1	7.0	2.0	100	150	0.225	1.29
CTCMH3221F-1	3.7	3.2	60	80	0.400	1.29
CTCMH3222F-1	2.2	5.0	35	40	0.600	1.29
*CTCMH3223F-1	1.1	8.1	20	20	0.900	1.02
*CTCMH3224F-1	0.580	13.0	10	10	1.150	1.29

\* = Self Leaded

### CHARACTERISTICS

**Description:** High inductance through-hole toroidal inductor.

**Applications:** For use in linear power supply filters, power line filters, as well as the ability to suppress EMI in switch mode supplies.

**Operating Temperature:** -40°C to +85°C

**Testing:** Tested on an HP4284A at 10 kHz 0.25 Vrms

**Electrical Specification:** @ 25°C

**Header Material:** Plastic - meets UL94V-0

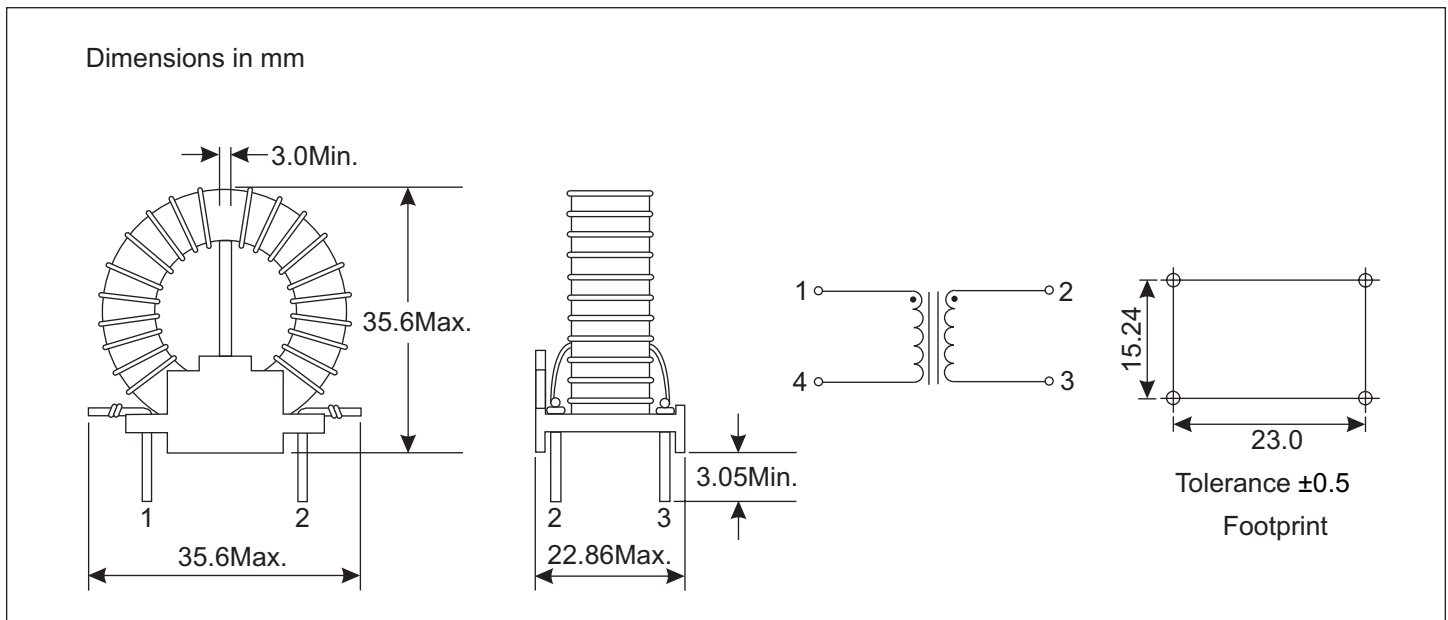
**Insulation Material:** Rates 130°C minimum

**Miscellaneous:** RoHS Compliant.

**Additional Information:** Additional electrical & physical information available upon request

**Samples available. See website for ordering information.**

### PHYSICAL DIMENSIONS



05.04.11