

CTCR32F Series

From 1.0 μ H to 390 μ H

SPECIFICATIONS

Part numbers indicate available inductance tolerance.
K = $\pm 10\%$, M = $\pm 20\%$



CHARACTERISTICS

Description: SMD power inductor

Applications: VTR power supplies, OA equipment, LCD televisions, PC notebooks, portable communication equipment, DC/DC converters

Operating Temperature: -30°C to +100°C

Inductance Tolerance: $\pm 20\%$

Testing: Inductance is tested on an HP4284A or HP4285A at specified frequency

Packaging: Tape & Reel

Marking: Marked with inductance code

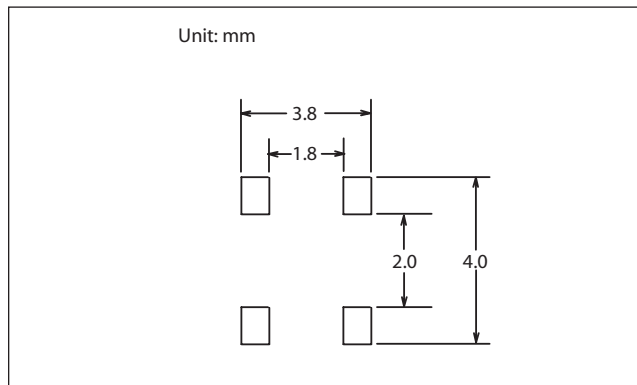
Rated DC: This indicates the value of current when the inductance is 10% lower than its initial value at D.C. superimposition or D.C. current when at $\Delta T=40^\circ\text{C}$, whichever is lower.

Miscellaneous: RoHS Compliant.

Additional Information: Additional electrical & physical information available upon request

Samples available. See website for ordering information.

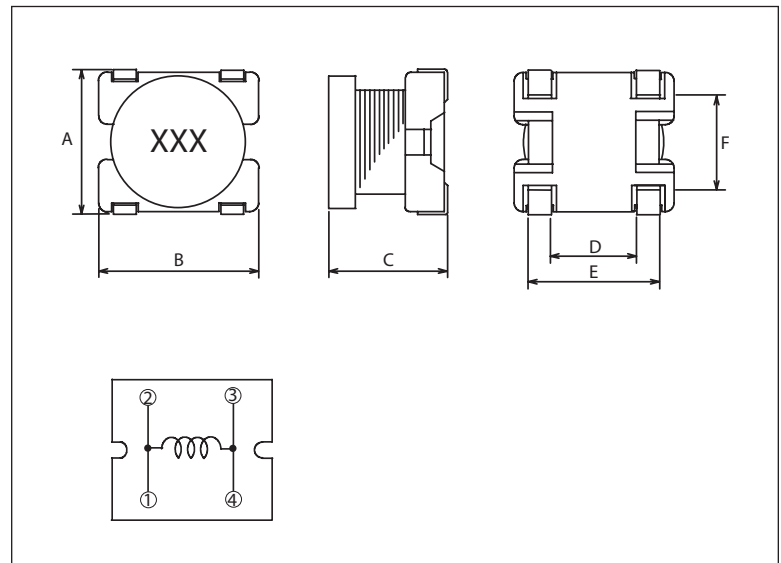
RECOMMENDED LAND PATTERN



Part Number	Inductance (μ H)	L Test Freq. (_Hz)	DCR Max. (m Ω)	Rated DC (A)
CTCR32F-1R0M	1.0	7.96M	48.7	1.80
CTCR32F-1R2M	1.2	7.96M	78.0	1.70
CTCR32F-1R5M	1.5	7.96M	85.0	1.50
CTCR32F-1R8M	1.8	7.96M	91.0	1.32
CTCR32F-2R2M	2.2	7.96M	57.8	1.46
CTCR32F-2R7M	2.7	7.96M	111.0	1.24
CTCR32F-3R3M	3.3	7.96M	137.0	1.18
CTCR32F-3R9M	3.9	7.96M	143.0	1.15
CTCR32F-4R7M	4.7	7.96M	170.0	1.04
CTCR32F-5R6M	5.6	7.96M	163.0	0.90
CTCR32F-6R8M	6.8	7.96M	202.0	0.88
CTCR32F-7R4M	7.4	7.96M	215.0	0.84
CTCR32F-8R2M	8.2	7.96M	228.0	0.78
CTCR32F-100K	10	100k	230.0	0.76
CTCR32F-120K	12	100k	270.0	0.685
CTCR32F-150K	15	100k	310.0	0.635
CTCR32F-180K	18	100k	410.0	0.525
CTCR32F-220K	22	100k	470.0	0.500
CTCR32F-270K	27	100k	660.0	0.405
CTCR32F-330K	33	100k	760.0	0.380
CTCR32F-390K	39	100k	850.0	0.355
CTCR32F-470K	47	100k	970.0	0.330
CTCR32F-560K	56	100k	1250.0	0.290
CTCR32F-680K	68	100k	1450.0	0.275
CTCR32F-820K	82	100k	1850.0	0.235
CTCR32F-101K	100	100k	2200.0	0.220
CTCR32F-121K	120	100k	2900.0	0.185
CTCR32F-151K	150	100k	3400.0	0.170
CTCR32F-181K	180	100k	3900.0	0.165
CTCR32F-221K	220	100k	4500.0	0.155
CTCR32F-271K	270	100k	6000.0	0.135
CTCR32F-331K	330	100k	7000.0	0.125
CTCR32F-391K	390	100k	7800.0	0.115

PHYSICAL DIMENSIONS

Size	A Max.	B Max.	C Max.	D	E	F
mm	4.0	4.1	3.0	2.0	3.1	2.3
inches	0.157	0.161	0.118	0.079	0.122	0.091



04.22.09