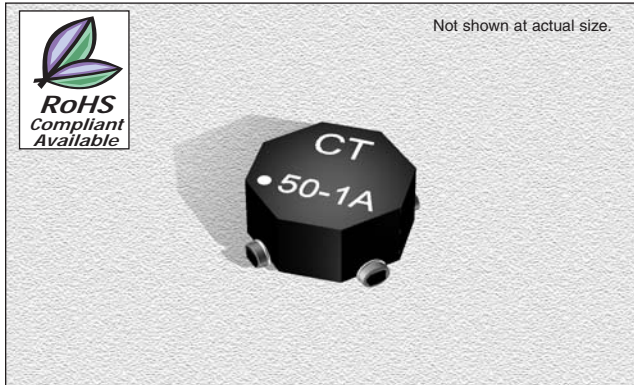


CTCTX-1A Series

From 0.402 μH to 300.80 μH

SPECIFICATIONS

Parts are available in $\pm 25\%$ tolerance only.
CTCTXE-----1A Please specify "F" for RoHS compliant.



Part Number	PARALLEL			SERIES		
	OCL ($\mu\text{H} \pm 25\%$)	DCR Max. (Ω)	I _{rms} (A)	OCL ($\mu\text{H} \pm 25\%$)	DCR Max. (Ω)	I _{rms} (A)
CTCTX_0.33-1A	0.402	0.0037	10.0	1.61	0.015	4.98
CTCTX_0.68-1A	0.752	0.0046	9.0	3.01	0.0185	4.48
CTCTX_1-1A	1.18	0.0070	7.26	4.70	0.0282	3.63
CTCTX_2-1A	2.30	0.012	5.64	9.21	0.0470	2.82
CTCTX_5-1A	4.70	0.020	4.27	18.80	0.082	2.13
CTCTX_8-1A	7.94	0.033	3.37	31.77	0.130	1.69
CTCTX_10-1A	10.58	0.046	2.84	42.30	0.183	1.42
CTCTX_15-1A	15.23	0.087	2.07	60.91	0.348	1.03
CTCTX_20-1A	20.73	0.127	1.71	82.91	0.507	0.86
CTCTX_25-1A	24.86	0.173	1.46	99.45	0.693	0.73
CTCTX_33-1A	34.26	0.249	1.22	137.10	0.995	0.61
CTCTX_50-1A	51.18	0.381	0.99	204.70	1.524	0.49
CTCTX_68-1A	67.87	0.437	0.92	271.50	1.749	0.46
CTCTX_100-1A	99.45	0.686	0.74	397.80	2.745	0.37
CTCTX_150-1A	147.40	0.832	0.67	589.60	3.329	0.33
CTCTX_200-1A	198.60	0.963	0.62	794.30	3.854	0.31
CTCTX_300-1A	300.80	1.181	0.56	1203.00	4.726	0.28

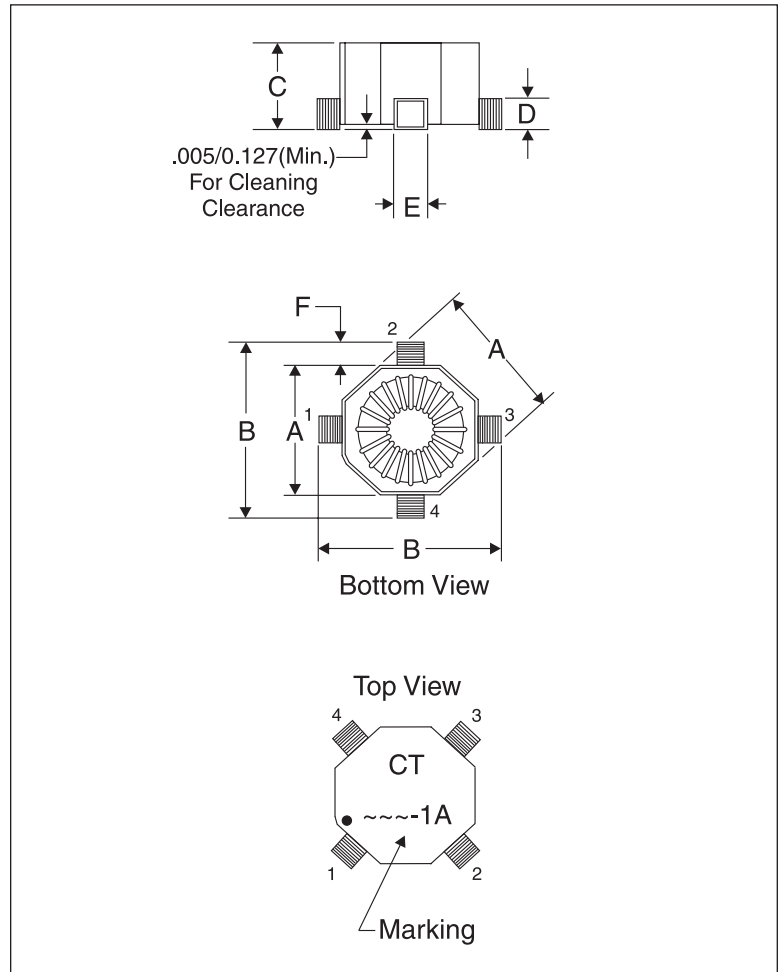
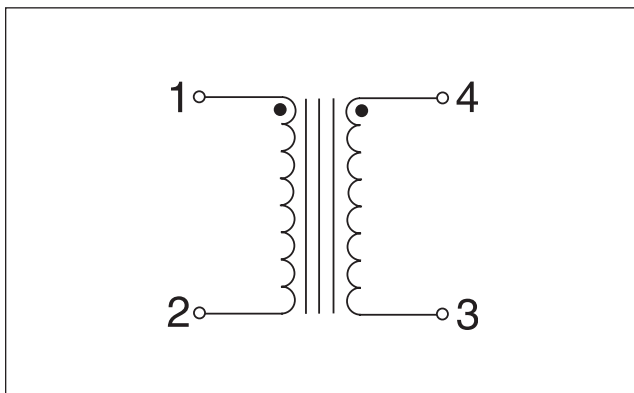
PHYSICAL DIMENSIONS

Size	A Nom.	B Nom.	C Max.	D Max.	E Max.	F Min.
mm	9.0	11.4	5.12	3.05	3.56	0.762
inches	0.35	0.45	0.20	0.12	0.14	0.03

CHARACTERISTICS

- Description:** SMD 4 Pad Inductors
- Applications:** Single inductors, 1:1 coupled inductors, & 1:1 isolation transformers
- Operating Temperature:** -40°C to +85°C
- Storage Temperature:** -40°C to +125°C
- Inductance Tolerance:** $\pm 20\%$
- Testing:** Inductance is tested on an HP4285A at 100 kHz
- Packaging:** Tape & Reel
- Marking:** Parts marked with inductance code & series type
- Miscellaneous:** RoHS Compliant available.
- Additional Information:** Additional electrical & physical information available upon request
- Samples available.** See website for ordering information.

CONNECTION DIAGRAM



04.24.06



Manufacturer of Inductors, Chokes, Coils, Beads, Transformers & Toroids

800-684-5322 Inside US 949-453-1811 Outside US

Copyright © 2006 by CT Magnetics, DBA Central Technologies. All rights reserved.

CT Magnetics reserves the right to make improvements or change specifications without notice