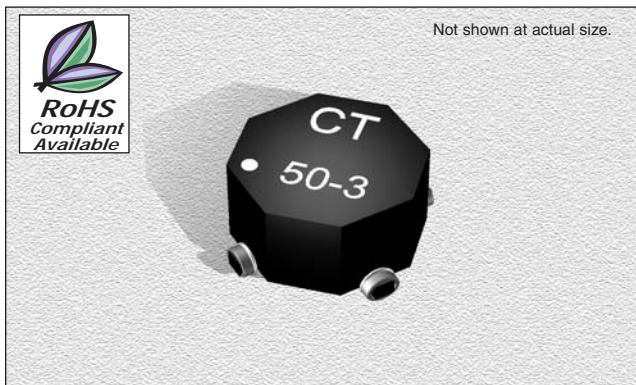


CTCTX-3 Series

From 0.368 μH to 301.06 μH

SPECIFICATIONS

Parts are available in $\pm 20\%$ tolerance only.
CTCTXE~---3 Please specify "F" for RoHS compliant.



Part Number	PARALLEL			SERIES		
	OCL ($\mu\text{H} \pm 20\%$)	DCR Max. (Ω)	Full Load Current (Adc)	OCL ($\mu\text{H} \pm 20\%$)	DCR Max. (Ω)	Full Load Current (Adc)
CTCTX_0.47-3	0.38	0.005	6.00	1.54	0.020	3.00
CTCTX_0.68-3	0.60	0.006	5.00	2.40	0.024	2.50
CTCTX_1-3	0.86	0.007	4.80	3.46	0.028	2.40
CTCTX_2-3	1.94	0.010	4.70	7.78	0.040	2.35
CTCTX_5-3	4.70	0.019	3.00	18.82	0.077	1.50
CTCTX_8-3	7.78	0.025	2.80	31.10	0.099	1.40
CTCTX_10-3	9.60	0.028	2.70	38.40	0.111	1.35
CTCTX_15-3	15.00	0.043	2.00	60.00	0.172	1.00
CTCTX_20-3	20.18	0.078	1.50	80.74	0.312	0.75
CTCTX_25-3	24.58	0.086	0.98	98.30	0.346	0.49
CTCTX_33-3	32.86	0.083	0.96	131.42	0.331	0.48
CTCTX_50-3	50.78	0.239	0.94	203.14	0.956	0.47
CTCTX_68-3	67.42	0.277	0.80	269.66	1.109	0.40
CTCTX_100-3	101.40	0.345	0.70	405.60	1.381	0.35
CTCTX_150-3	149.78	0.430	0.38	599.14	1.718	0.19
CTCTX_200-3	198.74	0.619	0.39	794.98	2.475	0.20
CTCTX_300-3	301.06	0.951	0.40	1204.22	3.083	0.20

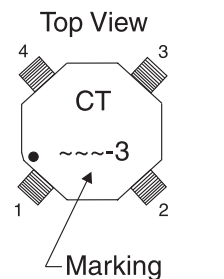
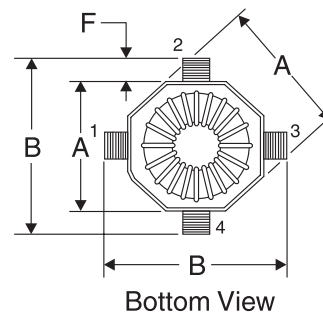
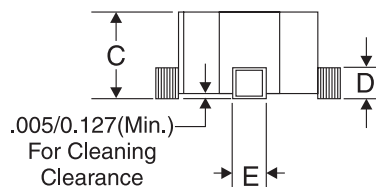
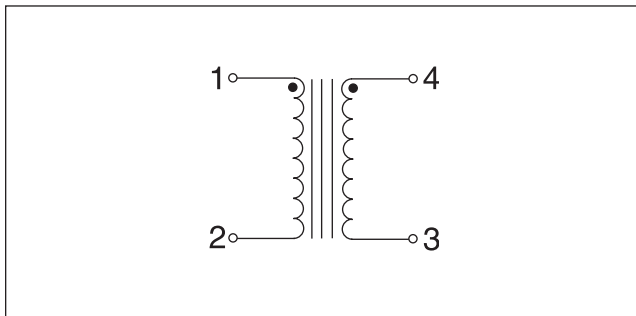
CHARACTERISTICS

- Description:** SMD 4 Pad Inductors
- Applications:** Single inductors, 1:1 coupled inductors, & 1:1 isolation transformers
- Operating Temperature:** -40°C to $+85^{\circ}\text{C}$
- Storage Temperature:** -40°C to $+125^{\circ}\text{C}$
- Inductance Tolerance:** $\pm 20\%$
- Testing:** Inductance is tested on an HP4285A at 100 kHz
- Packaging:** Tape & Reel
- Marking:** Parts marked with inductance code & series type
- Miscellaneous:** RoHS Compliant available.
- Additional Information:** Additional electrical & physical information available upon request
- Samples available.** See website for ordering information.

PHYSICAL DIMENSIONS

Size	A Nom.	B Nom.	C Max.	D Max.	E Max.	F Min.
mm	11.38	13.9	5.74	3.00	3.23	0.762
inches	0.45	0.55	0.23	0.12	0.13	0.03

CONNECTION DIAGRAM



04.24.06



Manufacturer of Inductors, Chokes, Coils, Beads, Transformers & Toroids

800-684-5322 Inside US 949-453-1811 Outside US

Copyright © 2006 by CT Magnetics, DBA Central Technologies. All rights reserved.

CT Magnetics reserves the right to make improvements or change specifications without notice