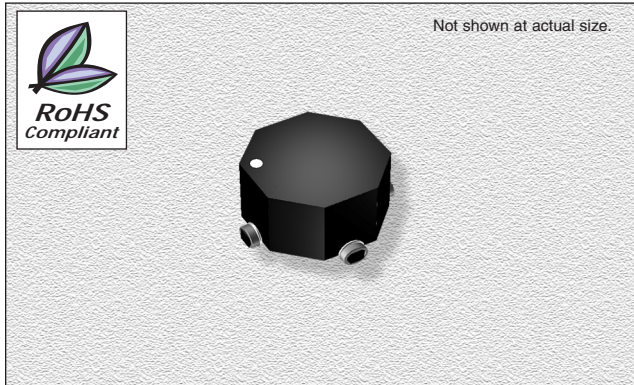


## CTCTXF-2P Series

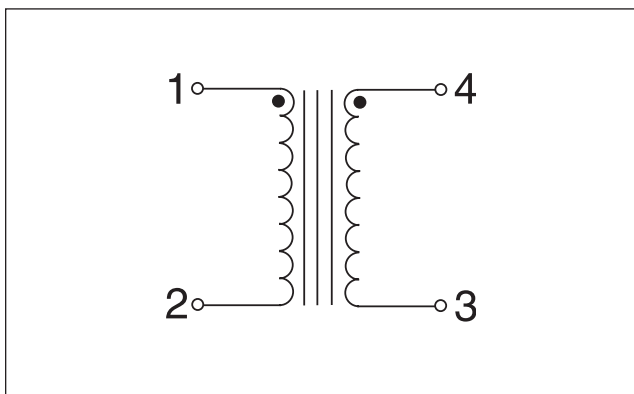
From 0.54  $\mu\text{H}$  to 300.42  $\mu\text{H}$



### CHARACTERISTICS

- Description:** SMD Toroidal Common Mode Choke
- Applications:** Single inductors, 1:1 coupled inductors, & 1:1 isolation transformers
- Operating Temperature:** -40°C to +85°C
- Storage Temperature:** -40°C to +125°C
- Inductance Tolerance:**  $\pm 20\%$
- Testing:** Inductance is tested on an HP4285A at 100 kHz
- Packaging:** Tape & Reel
- Marking:** Parts marked with inductance code
- Miscellaneous:** RoHS Compliant
- Additional Information:** Additional electrical & physical information available upon request
- Samples available.** See website for ordering information.

### CONNECTION DIAGRAM



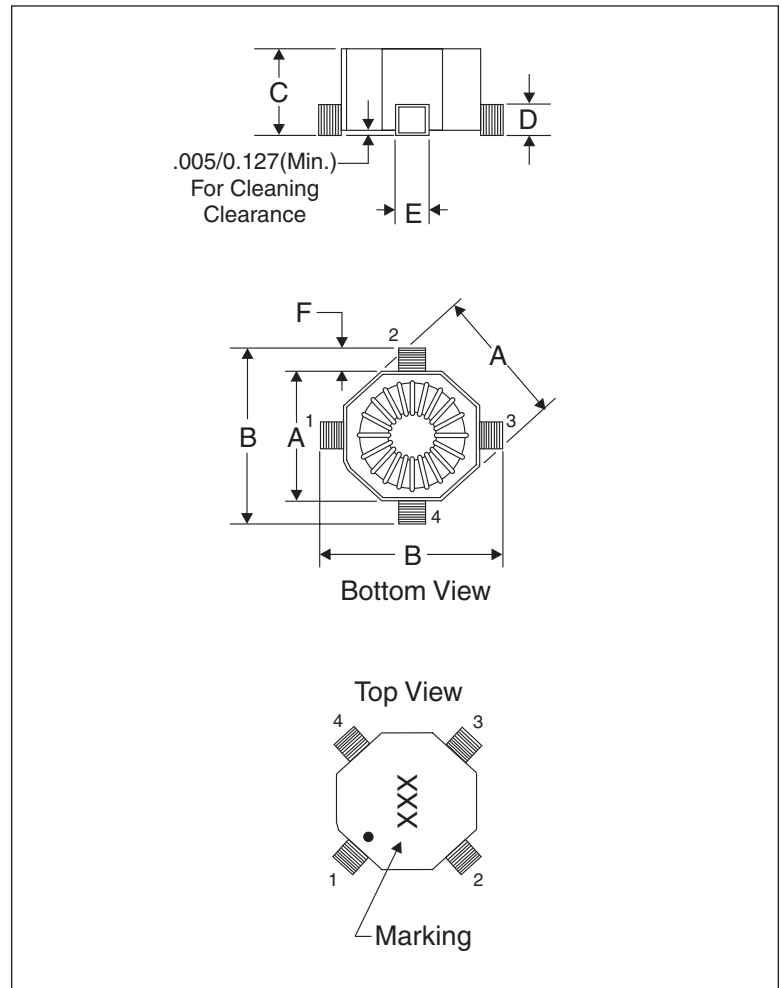
### SPECIFICATIONS

Parts are available in  $\pm 20\%$  tolerance only.

Part Number	PARALLEL			SERIES		
	OCL ( $\mu\text{H} \pm 20\%$ )	DCR Max. ( $\Omega$ )	Full Load Current (A dc)	OCL ( $\mu\text{H} \pm 20\%$ )	DCR Max. ( $\Omega$ )	Full Load Current (A dc)
CTCTXF0.47-2P	0.54	0.006	5.90	2.18	0.024	2.95
CTCTXF0.68-2P	0.85	0.007	5.40	3.40	0.029	2.70
CTCTXF1-2P	1.22	0.008	5.00	4.90	0.033	2.50
CTCTXF2-2P	2.18	0.014	3.90	8.70	0.055	1.95
CTCTXF5-2P	4.90	0.032	2.50	19.58	0.128	1.25
CTCTXF8-2P	7.65	0.040	2.30	30.60	0.158	1.15
CTCTXF10-2P	9.83	0.045	2.10	39.30	0.179	1.05
CTCTXF15-2P	14.99	0.085	1.60	59.98	0.339	0.80
CTCTXF20-2P	19.58	0.097	1.50	78.34	0.387	0.75
CTCTXF25-2P	24.79	0.109	1.40	99.14	0.436	0.70
CTCTXF33-2P	32.67	0.126	1.30	130.70	0.503	0.65
CTCTXF50-2P	49.10	0.305	0.82	196.38	1.221	0.41
CTCTXF68-2P	68.85	0.362	0.76	275.40	1.445	0.38
CTCTXF100-2P	99.14	0.541	0.62	396.58	2.162	0.31
CTCTXF150-2P	148.10	0.665	0.56	592.42	2.660	0.28
CTCTXF200-2P	201.59	0.951	0.46	806.34	3.804	0.23
CTCTXF300-2P	300.42	1.176	0.42	1201.70	4.703	0.21

### PHYSICAL DIMENSIONS

Size	A Nom.	B Nom.	C Max.	D Max.	E Max.	F Min.
mm	9.0	11.4	6.9	3.05	3.56	0.762
inches	0.35	0.45	0.27	0.12	0.14	0.03



04.15.08