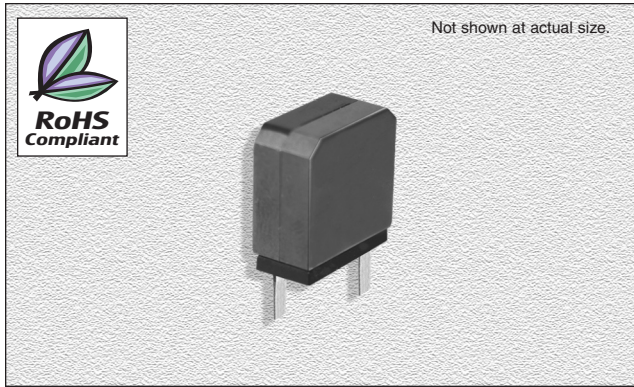


CTDA14AF Series

From 10 μH to 33 μH



CHARACTERISTICS

Description: Inductor for digital amplifier LPF

Applications: Suitable as choke coil for digital amplifier. Audio, DVD 5.1ch home theater, AV amplifier, LCD, PDP. Usable as a choke coil for power supplies, etc.

Features: Compact and low-profile. Output 85W. Magnetically shielded structure and low DC resistance. High sound quality. Low electromagnetic interference. Low resistance and high current.

Inductance Tolerance: $\pm 20\%$

Testing: Tested on a HP4284A at 1.0 KHz

Packaging: Bulk

Marking: Parts are marked with inductance code

Miscellaneous: **RoHS Compliant**

Additional Information: Additional electrical & physical information available upon request

Samples available. See website for ordering information.

SPECIFICATIONS

Parts are available in $\pm 20\%$ tolerance only.

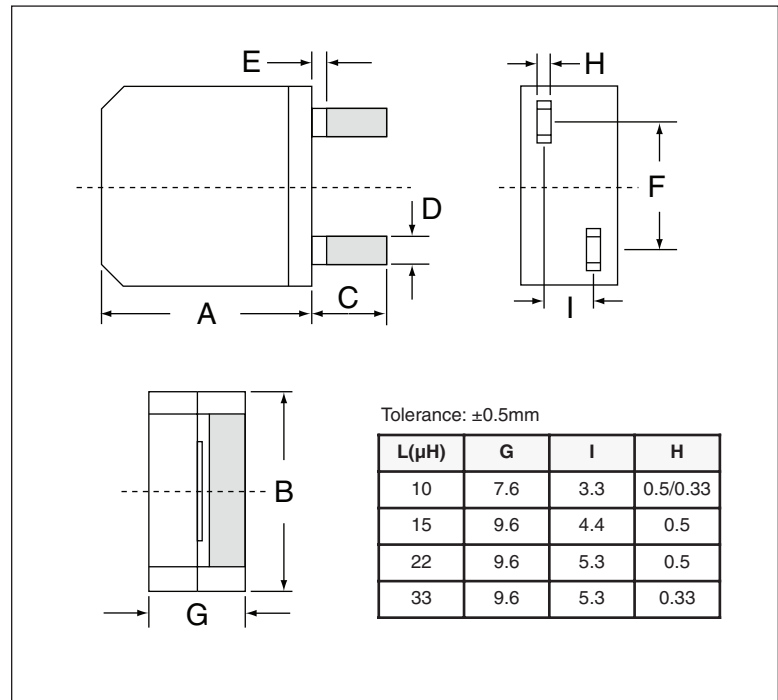
* Rated DC Current: Inductance drift is within -25% at the superposition

** Allowable Current: A rise in temp. of surface core within 40°C .

Part Number	Inductance ($\mu\text{H} \pm 20\%$)	L Test Freq. (KHz)	DCR Max. (m Ω)	*Rated DC Current (A)	**Allowable DC Current (A)
CTDA14AF-100M	10	1.0	5.9	8.3	7.8
CTDA14AF-150M	15	1.0	8.3	7.5	7.3
CTDA14AF-220M	22	1.0	10.0	7.0	6.6
CTDA14AF-330M	33	1.0	17.5	6.1	5.1

PHYSICAL DIMENSIONS

Size	A Max.	B	C	D	E Max.	F
mm	16.0	14.0 \pm 0.5	5.0 \pm 1.0	1.8 \pm 0.5	1.0	9.2 \pm 0.5
inches	0.63	0.55 \pm 0.02	0.2 \pm 0.039	0.071 \pm 0.02	0.039	0.36 \pm 0.02



06.29.07