

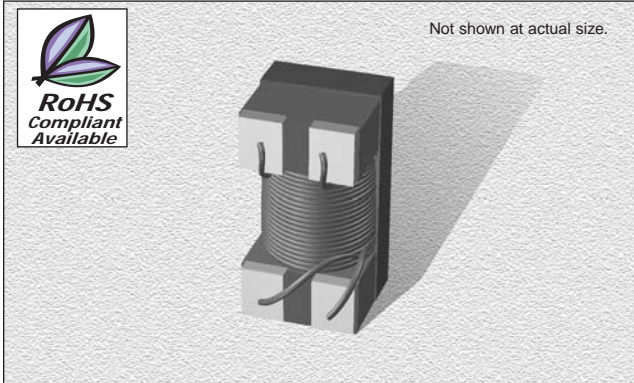
# CTDLW21S Series

From 30 Ω to 370 Ω

## SPECIFICATIONS

CTDLW21SE Please specify "F" for RoHS compliant.

| Part Number      | Common Mode Imp. @100MHz (Ω) | DCR Max. (Ω) | Rated Current (mA) | Rated Voltage (Vdc) | Withstand Voltage (Vdc) | Insulation Resis. Min. (Ω) |
|------------------|------------------------------|--------------|--------------------|---------------------|-------------------------|----------------------------|
| CTDLW21S_-300T04 | 30±25%                       | 0.20         | 400                | 50                  | 125                     | 10M                        |
| CTDLW21S_-670T04 | 67±25%                       | 0.25         | 400                | 50                  | 125                     | 10M                        |
| CTDLW21S_-900T04 | 90±25%                       | 0.30         | 400                | 50                  | 125                     | 10M                        |
| CTDLW21S_-121T04 | 120±25%                      | 0.30         | 400                | 50                  | 125                     | 10M                        |
| CTDLW21S_-161T03 | 160±25%                      | 0.35         | 350                | 50                  | 125                     | 10M                        |
| CTDLW21S_-181T03 | 180±25%                      | 0.35         | 350                | 50                  | 125                     | 10M                        |
| CTDLW21S_-221T03 | 220±25%                      | 0.40         | 300                | 50                  | 125                     | 10M                        |
| CTDLW21S_-261T03 | 260±25%                      | 0.40         | 300                | 50                  | 125                     | 10M                        |
| CTDLW21S_-301T03 | 300±25%                      | 0.45         | 300                | 50                  | 125                     | 10M                        |
| CTDLW21S_-361T01 | 360±25%                      | 0.50         | 100                | 50                  | 125                     | 10M                        |
| CTDLW21S_-371T01 | 370±25%                      | 0.50         | 100                | 50                  | 125                     | 10M                        |



## CHARACTERISTICS

**Description:** SMD Wire Wound Common Mode Choke Coils for Signal Lines

**Applications:** Suitable for radiation noise suppression for any electronic devices. Used to counter common mode noise interference within high speed signal lines. Applications like: USB 2.0 Line for personal computers and peripheral devices, IEEE1394 line for personal computers, DVC etc and LVDS, panel link line for crystal display panels.

**Operating Temperature:** -55°C to +125°C

**Testing:** Impedance is tested on an HP4287A at 100 MHz

**Packaging:** Tape & Reel

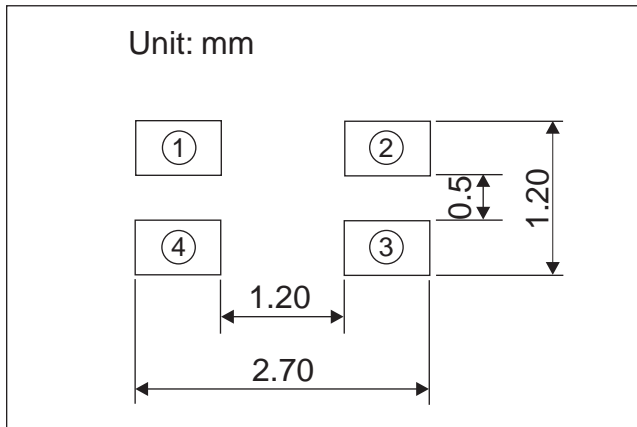
**Marking:** Reels marked with part number.

**Additional Information:** Additional electrical & physical information available upon request

**Miscellaneous:** RoHS Compliant available.

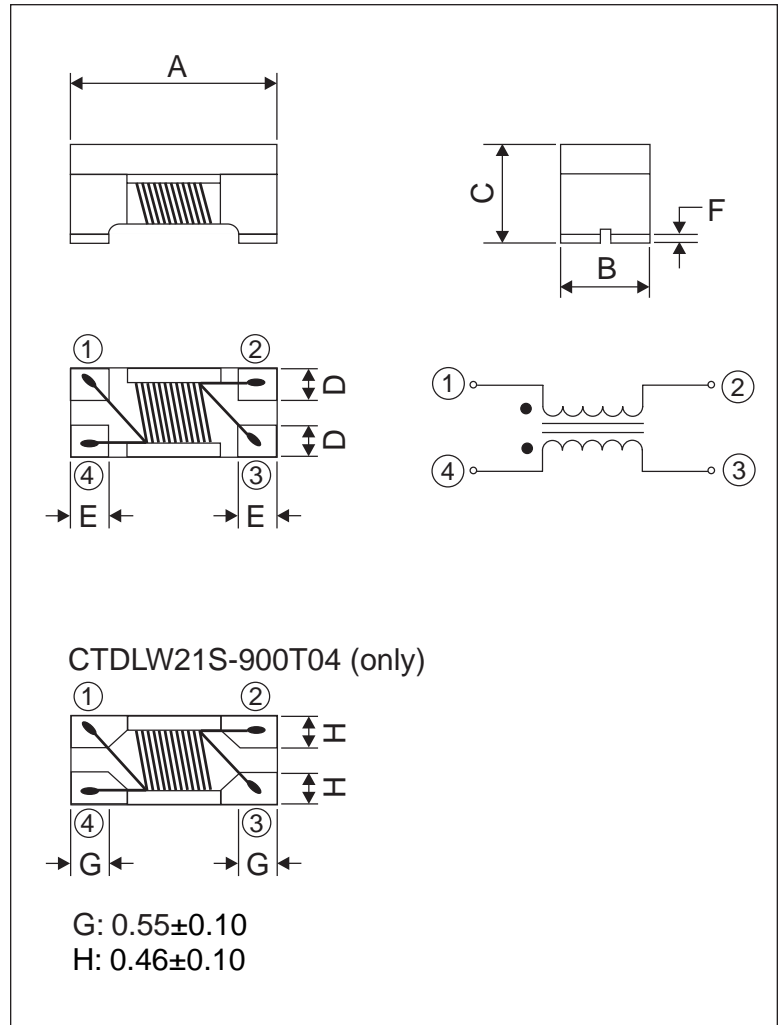
**Samples available. See website for ordering information.**

## PAD LAYOUT



## PHYSICAL DIMENSIONS

| Size   | A           | B           | C           | D           | E           | F           |
|--------|-------------|-------------|-------------|-------------|-------------|-------------|
| mm     | 2.0±0.2     | 1.2±0.2     | 1.2±0.2     | 0.4±0.1     | 0.4±0.1     | 0.15±0.1    |
| inches | 0.079±0.008 | 0.047±0.008 | 0.047±0.008 | 0.016±0.004 | 0.016±0.004 | 0.006±0.004 |



03.30.05