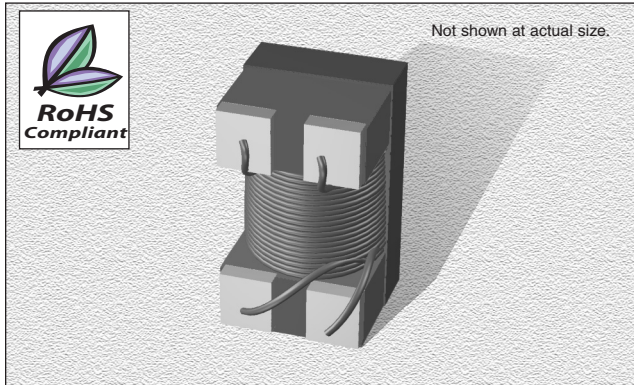


CTDLW31SF Series

From 90 Ω to 600 Ω

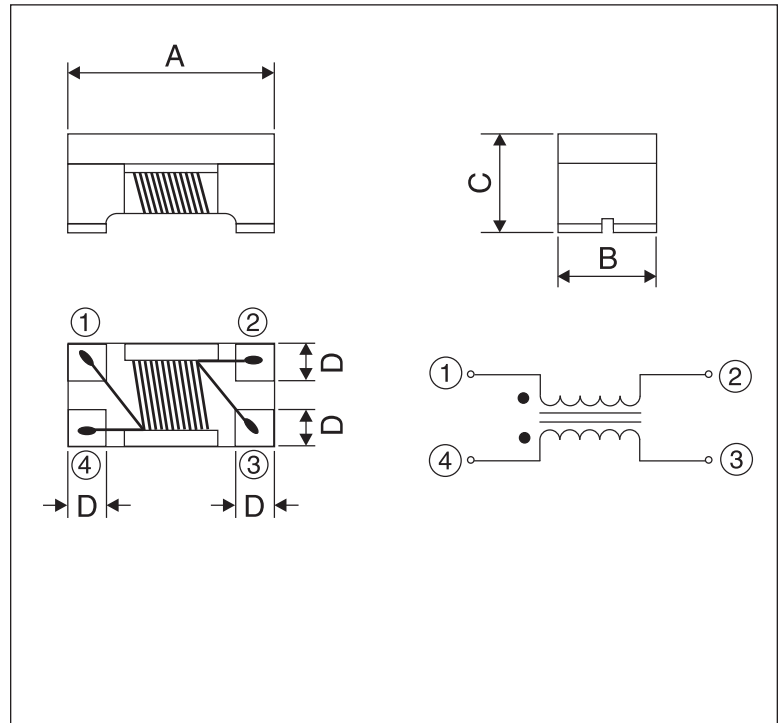
SPECIFICATIONS

Part Number	Common Mode Imp. @ 100MHz (Ω)	DCR Max. (Ω)	Rated Current (mA)	Rated Voltage (Vdc)	Withstand Voltage (Vdc)	Insulation Resis. Min. (Ω)
CTDLW31SF-900T04	90±25%	0.30	400	50	125	10M
CTDLW31SF-161T03	160±25%	0.40	350	50	125	10M
CTDLW31SF-221T03	220±25%	0.50	350	50	125	10M
CTDLW31SF-551T03	550±25%	0.75	300	50	125	10M
CTDLW31SF-601T03	600±25%	0.80	260	50	125	10M



PHYSICAL DIMENSIONS

Size	A	B	C	D Typ.
mm	3.2±0.2	1.6±0.2	2.0±0.2	0.6
inches	0.125±0.008	0.063±0.008	0.079±0.008	0.024



CHARACTERISTICS

Description: SMD Wire Wound Common Mode Choke Coils for Signal Lines

Applications: Suitable for radiation noise suppression for any electronic devices. Used to counter common mode noise interference within high speed signal lines. Applications like: USB 2.0 Line for personal computers and peripheral devices, IEEE1394 line for personal computers, DVC etc and LVDS, panel link line for crystal display panels.

Operating Temperature: -55°C to +125°C

Testing: Impedance is tested on an HP4287A at 100 MHz

Packaging: Tape & Reel

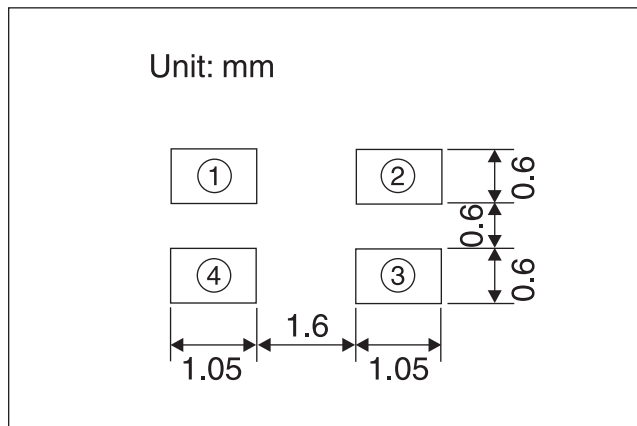
Marking: Reels marked with part number.

Additional Information: Additional electrical & physical information available upon request

Miscellaneous: RoHS Compliant.

Samples available. See website for ordering information.

PAD LAYOUT



02.03.15