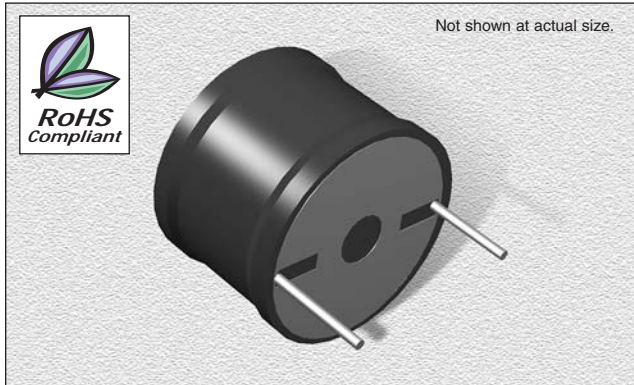


CTDR2F Series

From 1.0 μ H to 2,200 μ H

SPECIFICATIONS

Part numbers indicate available tolerance.
K = $\pm 10\%$, M = $\pm 20\%$



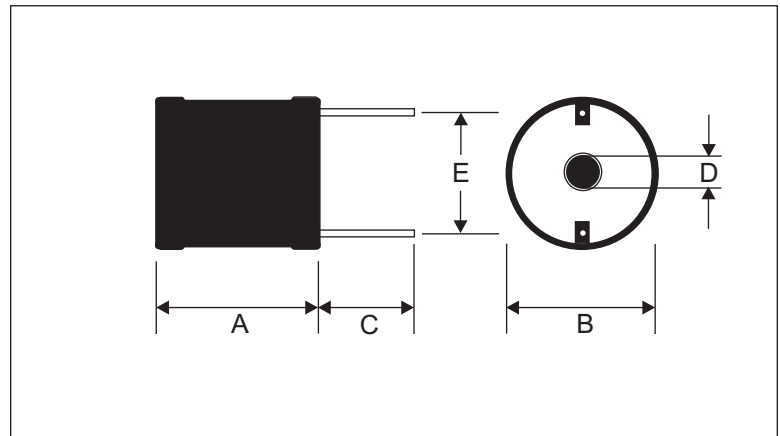
CHARACTERISTICS

- Description:** Radial leaded drum core inductor
- Applications:** Used in switching regulators, power amplifiers, power supplies, SCR and Triac controls, speaker crossover networks, RFI suppression and filters
- Operating Temperature:** -25°C to +85°C
- Temperature Rise:** 50°C Max. at IDC
- IDC:** Current at which inductance drops 10% Max.
- Inductance Tolerance:** $\pm 10\%$, $\pm 20\%$
- Testing:** Inductance is tested on an HP4284A at 1.0 kHz
- Packaging:** Bulk pack
- Sleeving:** Coils finished with UL-VW-1 sleeving
- Mounting:** Center hole furnished for mechanical mounting
- Miscellaneous:** **RoHS Compliant.** Non-standard tolerances and other values available.
- Additional Information:** Additional electrical & physical information available upon request
- Samples available. See website for ordering information.**

Part Number	Inductance (μ H)	L Test Freq. (kHz)	DCR Max. (Ω)	IDC Max. (A)
CTDR2F-1R0M	1.0	1.0	.003	11.4
CTDR2F-1R2M	1.2	1.0	.003	11.4
CTDR2F-1R5M	1.5	1.0	.003	11.4
CTDR2F-1R8M	1.8	1.0	.003	11.4
CTDR2F-2R2M	2.2	1.0	.004	11.4
CTDR2F-3R3M	3.3	1.0	.005	11.4
CTDR2F-3R9M	3.9	1.0	.005	11.4
CTDR2F-4R7M	4.7	1.0	.005	11.4
CTDR2F-5R6M	5.6	1.0	.006	11.4
CTDR2F-6R8M	6.8	1.0	.007	11.4
CTDR2F-8R2M	8.2	1.0	.007	11.4
CTDR2F-100M	10	1.0	.009	11.4
CTDR2F-120K	12	1.0	.009	11.4
CTDR2F-150K	15	1.0	.013	9.0
CTDR2F-180K	18	1.0	.018	7.2
CTDR2F-220K	22	1.0	.019	7.2
CTDR2F-270K	27	1.0	.026	5.5
CTDR2F-330K	33	1.0	.029	5.5
CTDR2F-390K	39	1.0	.030	5.5
CTDR2F-470K	47	1.0	.035	5.5
CTDR2F-560K	56	1.0	.039	5.5
CTDR2F-680K	68	1.0	.053	4.8
CTDR2F-820K	82	1.0	.060	4.8
CTDR2F-101K	100	1.0	.080	4.0
CTDR2F-121K	120	1.0	.090	4.0
CTDR2F-151K	150	1.0	.098	4.0
CTDR2F-181K	180	1.0	.110	4.0
CTDR2F-221K	220	1.0	.150	2.8
CTDR2F-271K	270	1.0	.213	2.0
CTDR2F-331K	330	1.0	.305	1.6
CTDR2F-391K	390	1.0	.320	1.6
CTDR2F-471K	470	1.0	.355	1.6
CTDR2F-561K	560	1.0	.388	1.6
CTDR2F-681K	680	1.0	.430	1.6
CTDR2F-821K	820	1.0	.590	1.3
CTDR2F-102K	1000	1.0	.818	1.0
CTDR2F-122K	1200	1.0	1.14	0.8
CTDR2F-152K	1500	1.0	1.26	0.8
CTDR2F-182K	1800	1.0	1.39	0.8
CTDR2F-222K	2200	1.0	1.54	0.8

PHYSICAL DIMENSIONS

Size	A Max.	B Max.	C	D Typ.	E Typ.
mm	22.0	22.0	15 \pm 2	5.5	15
inches	0.87	0.87	0.59 \pm 0.08	0.22	0.59



10.04.10