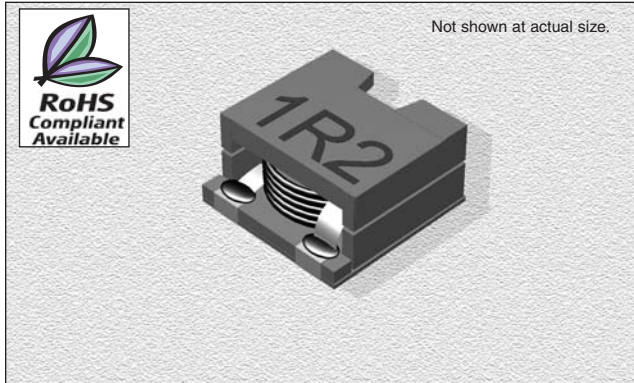


CTEP125S Series

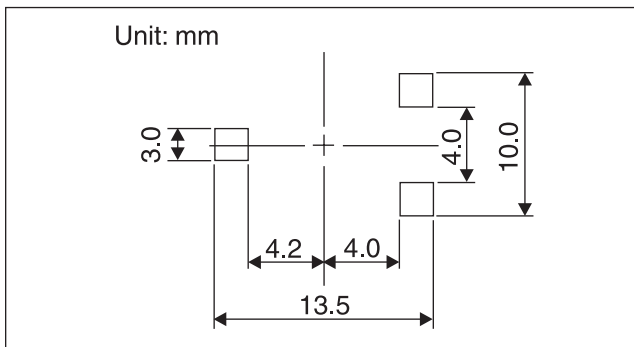
From 1.2 μH to 10 μH



CHARACTERISTICS

- Description:** SMD shielded power inductor
- Applications:** Power supplies for VTR, OA equipment, LCD televisions, PC notebooks, portable communication equipment, DC/DC converters, etc.
- Operating Temperature:** -30°C to +100°C
- Storage Temperature:** -30°C to +100°C
- Inductance Tolerance:** $\pm 20\%$
- Testing:** Tested on a HP4285A at 100 KHz , 0.25Vrms , 0Adc
- Packaging:** Tape & Reel
- Marking:** Parts are marked with inductance code
- Miscellaneous:** RoHS Compliant available.
- Additional Information:** Additional electrical & physical information available upon request
- Samples available.** See website for ordering information.

PAD LAYOUT



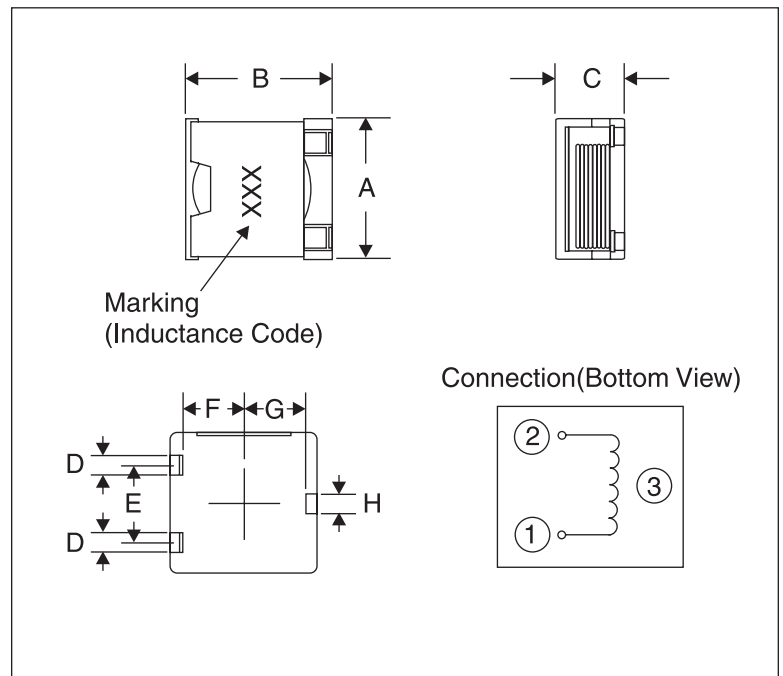
SPECIFICATIONS

Parts are available in $\pm 20\%$ only.
 * This indicates the current when the inductance decreases to 75% over it's nominal value or DC current when the temperature rising $\Delta T=40^\circ\text{C}$ lower, whichever is lower.
CTEP125SE Please specify "F" for RoHS compliant

Part Number	Inductance ($\mu\text{H} \pm 20\%$)	L Test Freq. (kHz)	DCR Max. (m Ω)	*Current (A)
CTEP125S_-1R2M	1.2	100	2.5	17.0
CTEP125S_-1R5M	1.5	100	2.5	14.0
CTEP125S_-2R5M	2.5	100	3.4	10.0
CTEP125S_-4R0M	4.0	100	5.4	8.3
CTEP125S_-6R0M	6.0	100	8.0	6.7
CTEP125S_-8R2M	8.2	100	11.4	5.8
CTEP125S_-100M	10	100	13.5	5.0

PHYSICAL DIMENSIONS

Size	A Max.	B Max.	C Max.	D	E	F	G	H
mm	12.9	12.9	5.8	2.6 \pm 2	7.0 \pm 2	4.0 \pm 2	4.2 \pm 2	2.5 \pm 2
inches	.51	.51	.23	.10 \pm .01	.28 \pm .01	.16 \pm .01	0.17 \pm 0.1	.10 \pm .01



04.03.07