

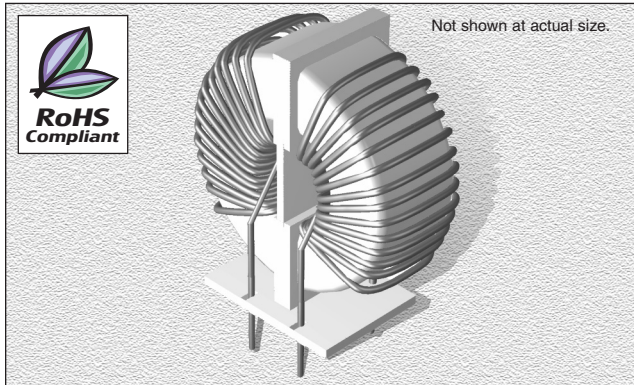
## CTF2515SF Series

### SPECIFICATIONS

\* Indicates the inductance difference between the coil L1 and L2.

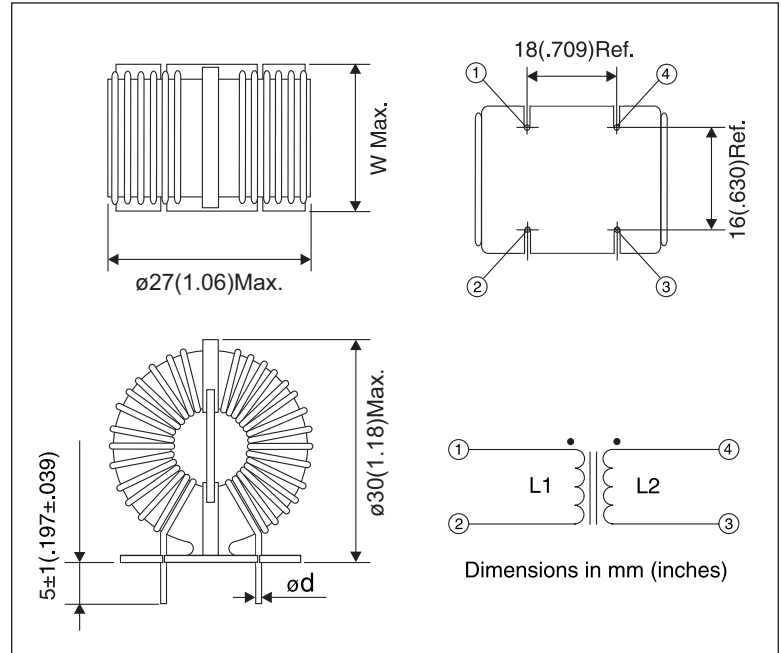
Part Number	Inductance Min. (mH)	Inductance Difference* (μH Max.)	DCR Max. (Ω)	Rated Current (Aac)	W (mm)	Ød (mm)
CTF2515SF-202M5R0	2.0	50	0.05	5.0	23	0.8

### PHYSICAL DIMENSIONS



### CHARACTERISTICS

- Description:** Common mode choke coils for power supply line.
- Applications:** Prevents noise emission, protects AC side from the affects of switching regulators, provides noise elimination and immunity for TV's, VTR's/VCR's, audio equipment, etc.
- Operating Temperature:** -20°C to +105°C including self temperature rise
- Temperature Rise:** 45°C maximum each line
- Insulation Resistance:** 100 Mohm minimum between each winding for 1 minute
- Rated Voltage:** 250 Vac
- Dielectric Withstanding Voltage:** 2000 Vac between each winding for 1 minute
- Packaging:** Bulk Pack
- Marking:** None
- Additional Information:** Additional electrical & physical information available upon request. Different inductance and current products are available as well.
- Samples available. See website for ordering information.**



05.22.07