

## CTGS104F Series

From 10  $\mu\text{H}$  to 560  $\mu\text{H}$



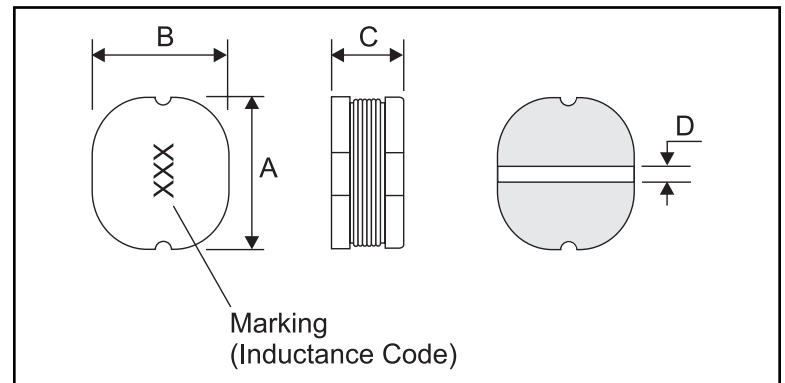
### SPECIFICATIONS

Part numbers indicate available tolerance.  
K =  $\pm 10\%$ , M =  $\pm 20\%$

Part Number	Inductance ( $\mu\text{H}$ )	L Test Freq. (. Hz)	DCR Max. ( $\Omega$ )	Rated DC (A)
CTGS104F-100M	10	2.52M	0.05	2.38
CTGS104F-120M	12	2.52M	0.06	2.13
CTGS104F-150M	15	2.52M	0.07	1.87
CTGS104F-180M	18	2.52M	0.08	1.73
CTGS104F-220M	22	2.52M	0.09	1.60
CTGS104F-270M	27	2.52M	0.10	1.44
CTGS104F-330M	33	2.52M	0.12	1.26
CTGS104F-390M	39	2.52M	0.15	1.20
CTGS104F-470M	47	2.52M	0.17	1.10
CTGS104F-560K	56	2.52M	0.20	1.01
CTGS104F-680K	68	2.52M	0.22	0.91
CTGS104F-820K	82	2.52M	0.25	0.85
CTGS104F-101K	100	1.0k	0.34	0.74
CTGS104F-121K	120	1.0k	0.40	0.69
CTGS104F-151K	150	1.0k	0.54	0.61
CTGS104F-181K	180	1.0k	0.62	0.56
CTGS104F-221K	220	1.0k	0.72	0.53
CTGS104F-271K	270	1.0k	0.95	0.45
CTGS104F-331K	330	1.0k	1.10	0.42
CTGS104F-391K	390	1.0k	1.24	0.38
CTGS104F-471K	470	1.0k	1.53	0.35
CTGS104F-561K	560	1.0k	1.90	0.32

### PHYSICAL DIMENSIONS

Size	A	B	C	D Typ.
mm	10.0 $\pm$ 0.3	9.0 $\pm$ 0.3	4.2 $\pm$ 0.5	2.1
inches	0.39 $\pm$ 0.012	0.35 $\pm$ 0.012	0.17 $\pm$ 0.020	0.083



### CHARACTERISTICS

- Description:** SMD power inductor.
- Applications:** VTR power supplies, OA equipment, LCD televisions, PC notebooks, portable communication equipment, DC/DC converters.
- Operating Temperature:** -30°C to +100°C
- Inductance Tolerance:**  $\pm 10\%$ ,  $\pm 20\%$
- Testing:** Inductance is tested on an HP4284A or HP4285A at specified frequency.
- Packaging:** Tape & Reel.
- Marking:** Marked with inductance code.
- Rated DC:** The value of current when the inductance is 10% lower than its initial value at 0 Adc or D.C. current when at  $\Delta T = 40^\circ\text{C}$  whichever is lower
- Miscellaneous:** RoHS Compliant.
- Additional Information:** Additional electrical & physical information available upon request.
- Samples available. See website for ordering information.**

### PAD LAYOUT

