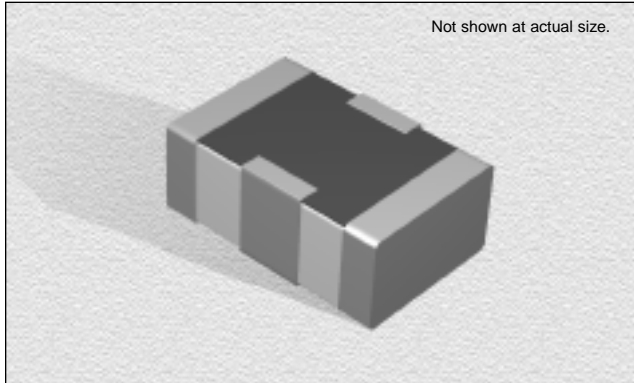


# CTLPF3216

0.88 GHz to 2.483 GHz

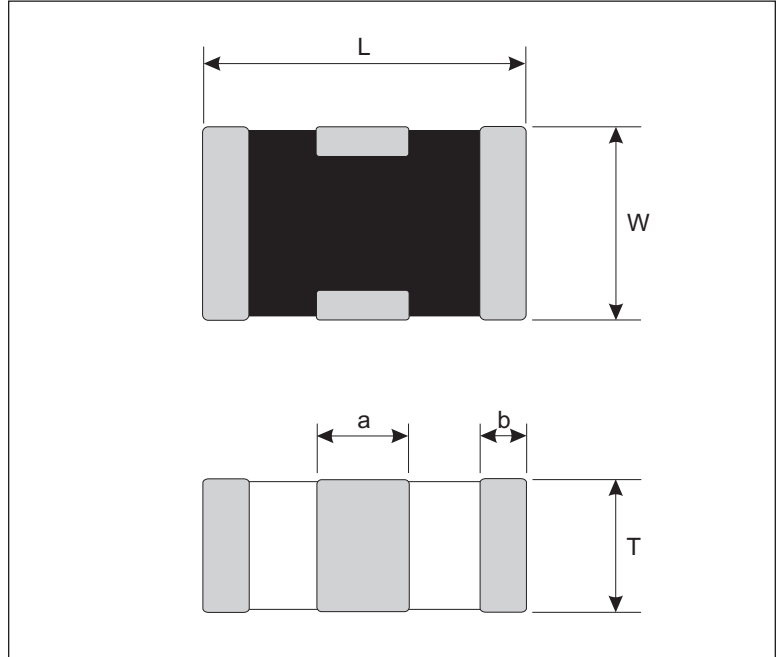
## SPECIFICATIONS

Part Number	Frequency (MHz)	Insertion Loss dB (Max.)	Attenuation		Return Loss dB (Min.)	Input Power Watts (Max.)	Impedance (W)
			2 x F <sub>o</sub>	3 x F <sub>o</sub>			
CTLPF3216-0898	880 - 915	0.6	30 dB	18 dB	10.9	3	50
CTLPF3216-1748	1710 - 1785	0.6	30 dB	18 dB	10.9	3	50
CTLPF3216-2442	2400 - 2483	0.6	30 dB	18 dB	10.9	3	50



## PHYSICAL DIMENSIONS

Size	L	W	T	a	b
mm	3.2±0.3	1.6±0.3	1.0±0.2	0.80±0.3	0.50±0.3
inches	0.126±0.012	0.064±0.012	0.039±0.008	0.031±0.012	0.020±0.012



## CHARACTERISTICS

**Description:** Multi-layer Chip Low Pass Filters

**Applications:** WLAN, Bluetooth, HomeRF, 2.4 GHz ISM, PCS/DCS/GSM/DECT/PHS

**Operating Temperature:** -40°C to +85°C

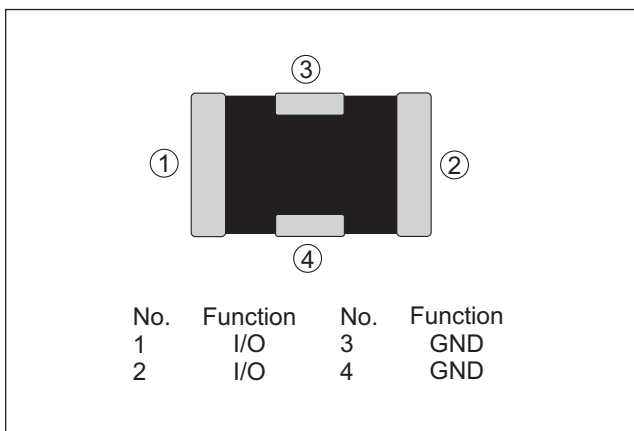
**Packaging:** Tape & Reel

**Polarity Marking:** Marking is on the upper surface of the unit

**Additional Information:** Additional electrical & physical information available upon request

**Samples available. See website for ordering information.**

## TERMINAL CONFIGURATION



09.24.03