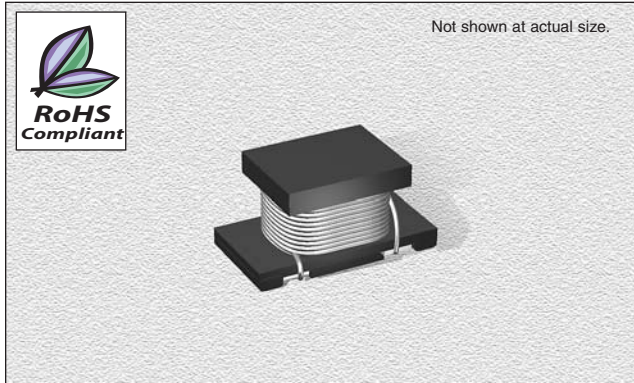


## CTLQ1812NF Series

From 1.0  $\mu$ H to 2200  $\mu$ H

### SPECIFICATIONS

Please specify tolerance code when ordering.  
 CTLQ1812NF-4R7\_ J =  $\pm 5\%$ , K =  $\pm 10\%$  M =  $\pm 20\%$   
 \* K or M \*\* J or K



### CHARACTERISTICS

**Description:** SMD wire-wound chip inductor.

**Applications:** Power supplies for VTR, OA equipment, LCD televisions, PC notebooks, portable communication equipment, DC/DC converters, etc.

**Operating Temperature:** -40°C to 125°C (including self-temperature rise)

**Inductance Tolerance:** J =  $\pm 5\%$ , K =  $\pm 10\%$  & M =  $\pm 20\%$

**Packaging:** Tape & Reel

**Miscellaneous:** RoHS Compliant.

**Testing:** Tested on a HP4285A @ specified frequency

**Pads:** Soft copper and pre-tinned

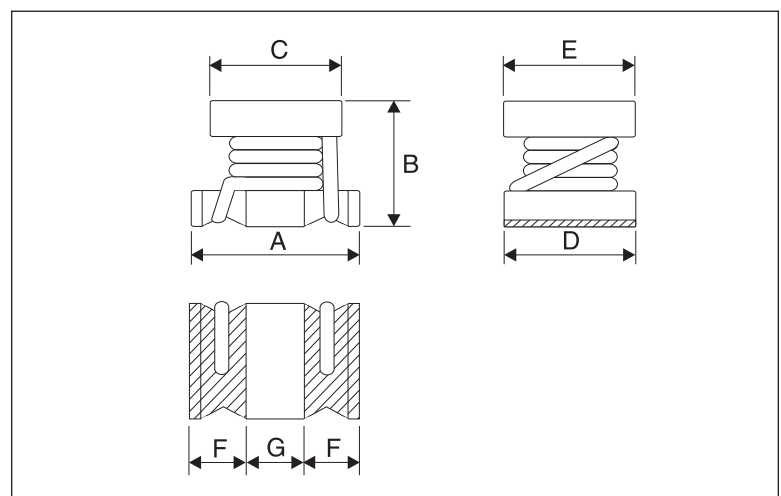
**Additional Information:** Additional electrical & physical information available upon request

**Samples available. See website for ordering information.**

Part Number	Inductance ( $\mu$ H)	Test Freq. (Hz)	Q Min.	DCR ( $\Omega$ ) Max.	SRF (MHz) Min.	Rated DC (mA) Max.
CTLQ1812NF-1R0M	1.0	1M	20@1MHz	0.20	120	500
CTLQ1812NF-1R2M	1.2	1M	20@1MHz	0.20	100	500
CTLQ1812NF-1R5M	1.5	1M	20@1MHz	0.30	85	500
CTLQ1812NF-1R8M	1.8	1M	20@1MHz	0.30	75	500
CTLQ1812NF-2R2M	2.2	1M	20@1MHz	0.30	62	500
CTLQ1812NF-2R7M	2.7	1M	20@1MHz	0.32	53	500
CTLQ1812NF-3R3M	3.3	1M	20@1MHz	0.35	47	500
CTLQ1812NF-3R9M	3.9	1M	20@1MHz	0.38	41	500
CTLQ1812NF-4R7_*	4.7	1M	30@1MHz	0.40	38	500
CTLQ1812NF-5R6_*	5.6	1M	30@1MHz	0.47	33	500
CTLQ1812NF-6R8_*	6.8	1M	30@1MHz	0.50	31	450
CTLQ1812NF-8R2_*	8.2	1M	30@1MHz	0.56	27	450
CTLQ1812NF-100_**	10	1M	35@1MHz	0.56	23	400
CTLQ1812NF-120_**	12	1M	35@1MHz	0.62	21	380
CTLQ1812NF-150_**	15	1M	35@1MHz	0.73	19	360
CTLQ1812NF-180_**	18	1M	35@1MHz	0.82	17	340
CTLQ1812NF-220_**	22	1M	35@1MHz	0.94	15	320
CTLQ1812NF-270_**	27	1M	35@1MHz	1.1	14	300
CTLQ1812NF-330_**	33	1M	35@1MHz	1.2	12	270
CTLQ1812NF-390_**	39	1M	35@1MHz	1.4	11	240
CTLQ1812NF-470_**	47	1M	35@1MHz	1.5	10	220
CTLQ1812NF-560_**	56	1M	35@1MHz	1.7	9.3	200
CTLQ1812NF-680_**	68	1M	35@1MHz	1.9	8.4	180
CTLQ1812NF-820_**	82	1M	35@1MHz	2.2	7.5	170
CTLQ1812NF-101_**	100	1M	40@796kHz	2.5	6.8	160
CTLQ1812NF-121_**	120	1M	40@796kHz	3.0	6.2	150
CTLQ1812NF-151_**	150	1M	40@796kHz	3.7	5.5	130
CTLQ1812NF-181_**	180	1M	40@796kHz	4.5	5.0	120
CTLQ1812NF-221_**	220	1M	40@796kHz	5.4	4.5	110
CTLQ1812NF-271_**	270	1M	40@796kHz	6.8	4.0	100
CTLQ1812NF-331_**	330	1M	40@796kHz	8.2	3.6	95
CTLQ1812NF-391_**	390	1M	40@796kHz	9.7	3.3	90
CTLQ1812NF-471_**	470	1k	40@796kHz	11.8	3.0	80
CTLQ1812NF-561_**	560	1k	40@796kHz	14.5	2.7	70
CTLQ1812NF-681_**	680	1k	40@796kHz	17.0	2.5	65
CTLQ1812NF-821_**	820	1k	40@796kHz	20.5	2.2	60
CTLQ1812NF-102_**	1000	1k	40@252kHz	25.0	2.0	50
CTLQ1812NF-122_**	1200	1k	40@252kHz	30.0	1.8	45
CTLQ1812NF-152_**	1500	1k	40@252kHz	37.0	1.6	40
CTLQ1812NF-182_**	1800	1k	40@252kHz	45.0	1.5	35
CTLQ1812NF-222_**	2200	1k	40@252kHz	50.0	1.3	30

### PHYSICAL DIMENSIONS

Size	A	B	C	D	E	F Min.	G Min.
mm	4.5 $\pm$ 0.3	2.6 $\pm$ 0.2	3.6 $\pm$ 0.2	3.2 $\pm$ 0.2	3.2 $\pm$ 0.2	1.0	1.0
inches	0.18 $\pm$ 0.01	0.10 $\pm$ 0.008	0.14 $\pm$ 0.008	0.12 $\pm$ 0.008	0.12 $\pm$ 0.008	0.04	0.04



05.23.16