

CTMPA121206F

Series

From 1.0µH to 47µH



CHARACTERISTICS

Description: SMD Molded Magnetically Shielded Inductors

Applications: DC/DC converter for CPU in Notebook PC, Battery powered devices, Cellular phone LCD displays, HDD's, DVC's, DCS's, PDA, Thin type on-board power supply module, etc.

Operating Temperature: -40°C to +120°C (The part temperature (ambient + temp. rise) should not exceed 125°C under worst case operating conditions. Circuit design, component placement, PWB trace size and thickness, airflow and other cooling provisions all affect the part temperature. Part temperature should be verified in the end application.)

Isat: Inductance drop 20% from its value with current.

Irms: 40°C temperature rise from 25°C ambient with current.

Inductance Tolerance: ±20% (M)

Testing: Inductance tested at 200kHz, 0.25V, 0A. 25°C ambient.

Packaging: Tape & Reel.

Miscellaneous: **RoHS Compliant.**

Additional Information: Additional electrical & physical information available upon request.

Samples available. See website for ordering information.

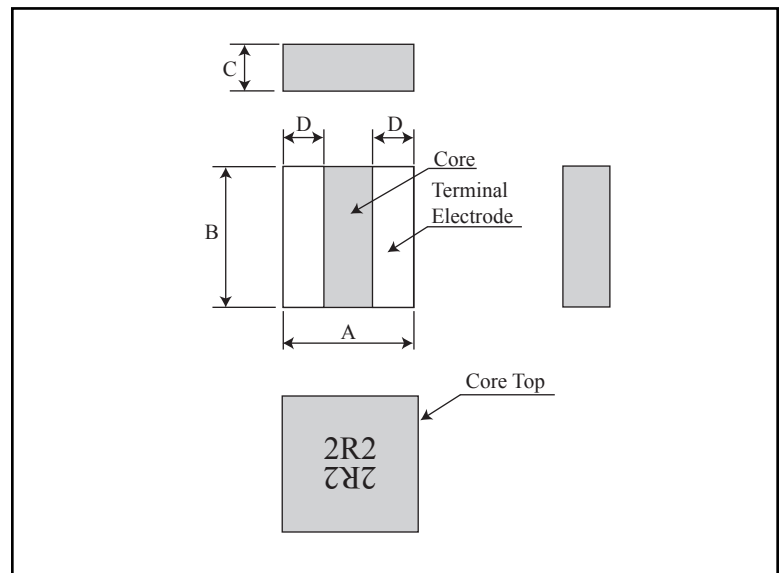
SPECIFICATIONS

Parts are available in ±20% inductance tolerance only.

Part Number	Inductance at 200kHz (µH)	DCR Max. (mΩ)	DCR Typ. (mΩ)	Isat Typ. (A)	Irms Typ. (A)
CTMPA121206F-1R0M	1.0	47.0	40.0	4.40	2.70
CTMPA121206F-2R2M	2.2	108.0	97.0	3.00	1.80
CTMPA121206F-3R3M	3.3	131.0	121.0	2.90	1.70
CTMPA121206F-4R7M	4.7	162.0	150.0	2.70	1.50
CTMPA121206F-6R8M	6.8	287.0	270.0	2.30	1.10
CTMPA121206F-100M	10	513.0	498.0	1.60	0.80
CTMPA121206F-150M	15	830.0	747.0	1.70	0.65
CTMPA121206F-220M	22	1040.0	936.0	1.60	0.59
CTMPA121206F-330M	33	1330.0	1197.0	1.30	0.52
CTMPA121206F-470M	47	2300.0	2070.0	1.20	0.39

PHYSICAL DIMENSIONS

Size	A	B	C Max.	D
mm	3.0 ± 0.2	3.0 ± 0.2	1.5	1.2 ± 0.2
inches	0.118 ± 0.008	0.118 ± 0.008	0.059	0.047 ± 0.008



PAD LAYOUT

