

CTSMD8F

Series

From 3.9 μ H to 10,000 μ H



CHARACTERISTICS

Description: SMD molded high current inductors

Applications: Switching regulators, power amplifiers, power supplies, SCR and Triac controls, speaker crossover networks, RFI suppression and filters. Various applications.

Operating Temperature: -55°C to +125°C (no load); -55°C to +85°C (at full rated current)

Rated Current: Based on the inductance change within 10% of initial value and temperature rise of initial value less than 30°C within coil body.

Inductance Tolerance: $\pm 10\%$ (K), $\pm 15\%$ (L)

Testing: Inductance is tested on an HP4284A at 1KHz, 1V.

Packaging: Tape & reel.

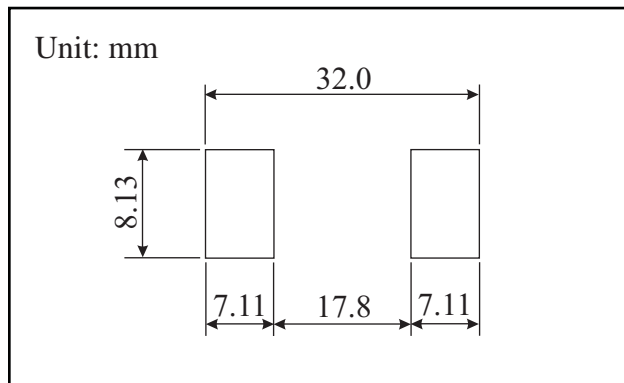
Marking: Parts are marked with inductance code.

Miscellaneous: **RoHS Compliant.**

Additional Information: Additional electrical & physical information available upon request.

Samples available. See website for ordering information.

PAD LAYOUT



SPECIFICATIONS

Part numbers indicate available inductance tolerance.

K = $\pm 10\%$, L = $\pm 15\%$

Part Number	Inductance (μ H)	L Test Freq. (KHz)	DCR Max. (Ω)	Saturation DC (A)	Rated AC (A)
CTSMD8F-3R9L	3.9	1.0	0.007	15.5	4.0
CTSMD8F-4R7L	4.7	1.0	0.008	13.9	4.0
CTSMD8F-5R6L	5.6	1.0	0.011	12.6	4.0
CTSMD8F-6R8L	6.8	1.0	0.011	11.6	4.0
CTSMD8F-8R2L	8.2	1.0	0.013	9.89	4.0
CTSMD8F-100K	10	1.0	0.017	8.70	4.0
CTSMD8F-120K	12	1.0	0.019	8.21	4.0
CTSMD8F-150K	15	1.0	0.022	7.34	4.0
CTSMD8F-180K	18	1.0	0.023	6.64	4.0
CTSMD8F-220K	22	1.0	0.026	6.07	4.0
CTSMD8F-270K	27	1.0	0.027	5.36	4.0
CTSMD8F-330K	33	1.0	0.032	4.82	4.0
CTSMD8F-390K	39	1.0	0.033	4.36	4.0
CTSMD8F-470K	47	1.0	0.035	3.98	4.0
CTSMD8F-560K	56	1.0	0.037	3.66	3.2
CTSMD8F-680K	68	1.0	0.047	3.31	2.5
CTSMD8F-820K	82	1.0	0.060	3.10	2.0
CTSMD8F-101K	100	1.0	0.090	2.79	1.6
CTSMD8F-121K	120	1.0	0.113	2.54	1.6
CTSMD8F-151K	150	1.0	0.129	2.22	1.6
CTSMD8F-181K	180	1.0	0.150	1.98	1.6
CTSMD8F-221K	220	1.0	0.162	1.89	1.6
CTSMD8F-271K	270	1.0	0.208	1.63	1.6
CTSMD8F-331K	330	1.0	0.212	1.51	1.6
CTSMD8F-391K	390	1.0	0.281	1.39	1.6
CTSMD8F-471K	470	1.0	0.380	1.24	1.2
CTSMD8F-561K	560	1.0	0.420	1.17	1.0
CTSMD8F-681K	680	1.0	0.548	1.05	1.0
CTSMD8F-821K	820	1.0	0.665	0.97	0.8
CTSMD8F-102K	1000	1.0	0.844	0.87	0.8
CTSMD8F-122K	1200	1.0	1.04	0.79	0.6
CTSMD8F-152K	1500	1.0	1.18	0.7	0.6
CTSMD8F-182K	1800	1.0	1.56	0.64	0.6
CTSMD8F-222K	2200	1.0	2.00	0.58	0.5
CTSMD8F-272K	2700	1.0	2.06	0.53	0.4
CTSMD8F-332K	3300	1.0	2.63	0.47	0.4
CTSMD8F-392K	3900	1.0	2.75	0.43	0.4
CTSMD8F-472K	4700	1.0	3.19	0.39	0.4
CTSMD8F-562K	5600	1.0	3.92	0.359	0.315
CTSMD8F-682K	6800	1.0	5.69	0.322	0.250
CTSMD8F-822K	8200	1.0	6.32	0.293	0.250
CTSMD8F-103K	10000	1.0	7.30	0.266	0.250
CTSMD8F-123K	12000	1.0	9.99	0.257	0.160
CTSMD8F-153K	15000	1.0	11.2	0.230	0.160
CTSMD8F-183K	18000	1.0	15.2	0.210	0.130
CTSMD8F-223K	22000	1.0	16.8	0.190	0.130
CTSMD8F-273K	27000	1.0	18.6	0.171	0.130
CTSMD8F-333K	33000	1.0	26.7	0.155	0.100
CTSMD8F-393K	39000	1.0	29.0	0.143	0.100
CTSMD8F-473K	47000	1.0	31.8	0.131	0.100
CTSMD8F-563K	56000	1.0	42.6	0.119	0.083
CTSMD8F-683K	68000	1.0	46.9	0.108	0.083
CTSMD8F-823K	82000	1.0	64.9	0.098	0.067
CTSMD8F-104K	100000	1.0	71.7	0.089	0.067

PHYSICAL DIMENSIONS

