

# CTSPT-H

From 2.8  $\mu$ H to 18  $\mu$ H

## SPECIFICATIONS

CTSPT~~HE Please specify "F" for RoHS Compliant

Part Number	Inductance (no DC) $\pm 20\%$ . ( $\mu$ H)	Current DC (Amp.)	Inductance (w/ DC) Typ. ( $\mu$ H)	DCR Max. ( $\Omega$ )	Size Code
CTSPT44H_-282M	2.8	13.9	1.68	0.0036	R
CTSPT44H_-422M	4.2	11.4	2.5	0.0054	R
CTSPT68H_-113M	11	15.4	5.2	0.0062	S
CTSPT68H_-183M	18	10.9	9.4	0.0123	S

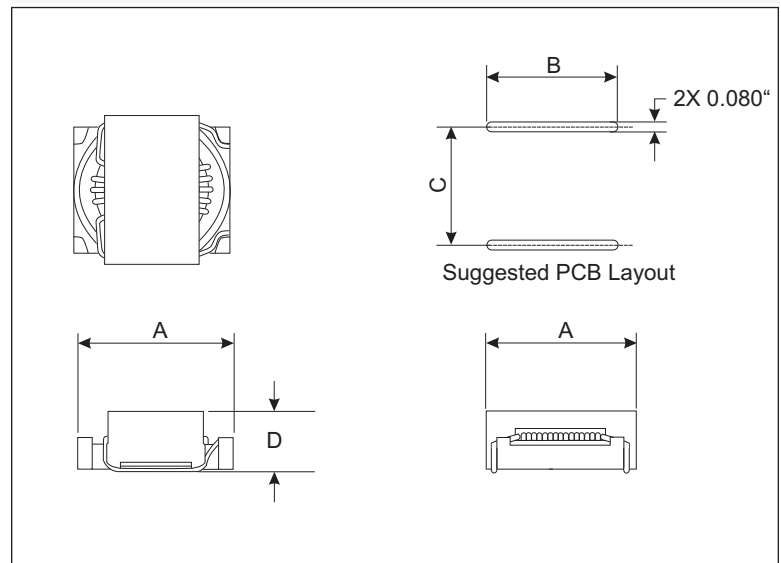
## PHYSICAL DIMENSIONS (inch)

Size Code	A Max.	B Max.	C Max.	D Max.
R	0.665	0.490 $\pm$ 0.005	0.570 $\pm$ 0.005	0.400
S	0.940	0.700 $\pm$ 0.005	0.830 $\pm$ 0.005	0.413



## CHARACTERISTICS

- Description:** Surface mount high current toroidal inductor.
- Applications:** For use in DC/DC converters, notebooks, computers, and mobile appliances. Boost and buck switcher. Designed for SMD pick and place mounting and reflow soldering.
- Operating Temperature:** -40°C to +130°C
- Testing:** Tested on an HP4284A at 100 kHz 0.1 Vrms
- Electrical Specification:** @ 25°C
- Temperature Rise:** 55°C typical at I<sub>dc</sub> and 25°C ambient temperature.
- Miscellaneous:** RoHS Compliant available. Meets UL94V-0. Operating frequency up to 1 MHz.
- Additional Information:** Additional electrical & physical information available upon request
- Samples available. See website for ordering information.**



08.23.10