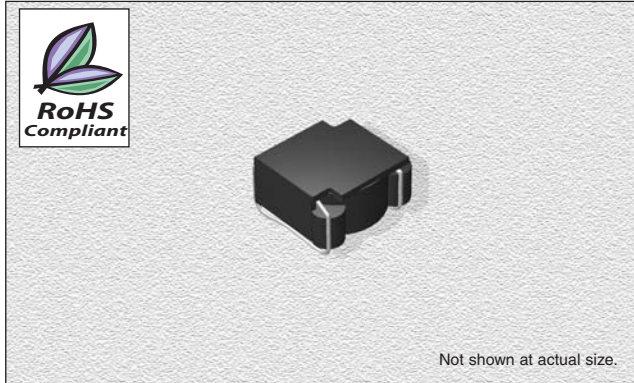


# CTSPT-L

From 1.1  $\mu\text{H}$  to 2000  $\mu\text{H}$



## CHARACTERISTICS

**Description:** Surface mount standard toroidal inductor.

**Applications:** For use in DC/DC converters, notebooks, computers, and mobile appliances. Boost and buck switcher. Designed for SMD pick and place mounting and reflow soldering.

**Operating Temperature:** -40°C to +125°C

**Testing:** Tested on an HP4284A at 100 kHz 0.1 Vrms

**Electrical Specification:** @ 25°C

**Temperature Rise:** 55°C typical at I<sub>dc</sub> and 25°C ambient temperature.

**Miscellaneous:** **RoHS Compliant.** Meets UL94V-0. Operating frequency up to 1 MHz.

**Additional Information:** Additional electrical & physical information available upon request

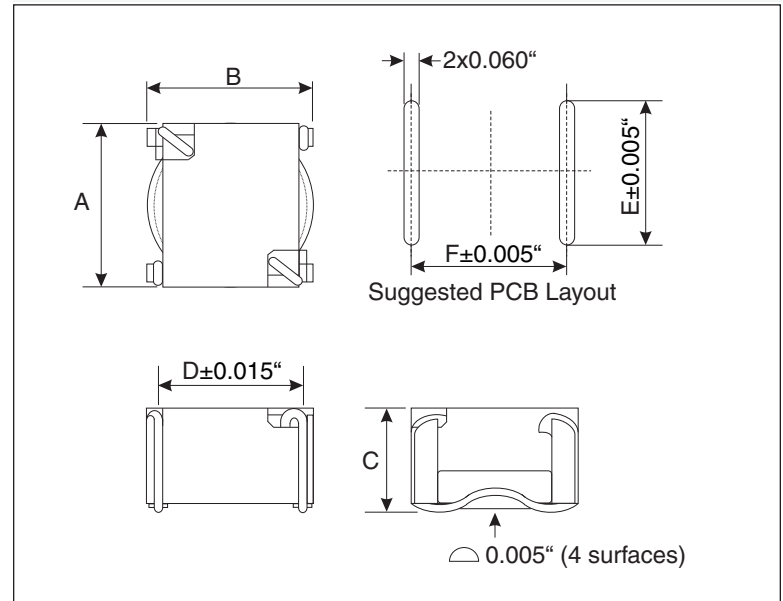
**Samples available. See website for ordering information.**

## SPECIFICATIONS

Part Number	Inductance (no DC) $\pm 20\%$ . ( $\mu\text{H}$ )	Current DC (Amp.)	Inductance (w/ DC) Typ. ( $\mu\text{H}$ )	DCR $\pm 20\%$ ( $\Omega$ )	Size Code
CTSPT20LF-702M	7.0	1.40	6.20	0.070	M
CTSPT20LF-233M	23	1.00	17.6	0.125	M
CTSPT30LF-353M	35	1.40	29.7	0.166	N
CTSPT38LF-733M	73	1.30	58.1	0.290	O
CTSPT30LF-174M	170	0.94	114	0.380	N
CTSPT38LF-674M	670	0.72	383	0.862	O
CTSPT44LF-115M	1100	0.74	645	1.250	P
CTSPT50LF-205M	2000	0.71	1070	1.700	Q
CTSPT20LF-112M	1.1	3.40	1.01	0.011	M
CTSPT30LF-123M	12	2.80	9.4	0.046	N
CTSPT38LF-223M	22	2.70	16.2	0.063	O
CTSPT44LF-413M	41	2.70	29.1	0.085	P
CTSPT50LF-733M	73	2.60	50.0	0.133	Q
CTSPT30LF-522M	5.2	4.80	3.8	0.017	N
CTSPT38LF-752M	7.5	5.40	5.1	0.018	O
CTSPT44LF-143M	14	5.50	9.0	0.022	P
CTSPT50LF-263M	26	5.10	16.1	0.032	Q
CTSPT38LF-382M	3.8	8.00	2.5	0.008	O
CTSPT44LF-792M	7.9	7.80	4.9	0.012	P
CTSPT50LF-163M	16	7.20	9.3	0.019	Q

## PHYSICAL DIMENSIONS (inch)

Size Code	A Max.	B Max.	C Max.	D	E	F
M	0.340	0.340	0.270	0.260	0.300	0.270
N	0.435	0.440	0.378	0.350	0.400	0.360
O	0.560	0.565	0.360	0.450	0.520	0.460
P	0.590	0.615	0.390	0.500	0.550	0.510
Q	0.670	0.700	0.390	0.580	0.620	0.590



04.02.15