

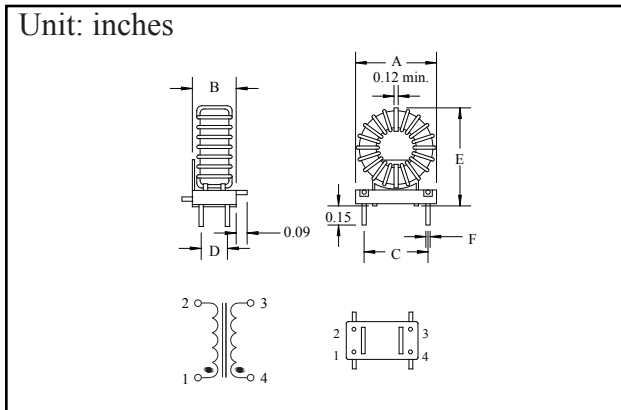
CTTCMCF Series

CHARACTERISTICS

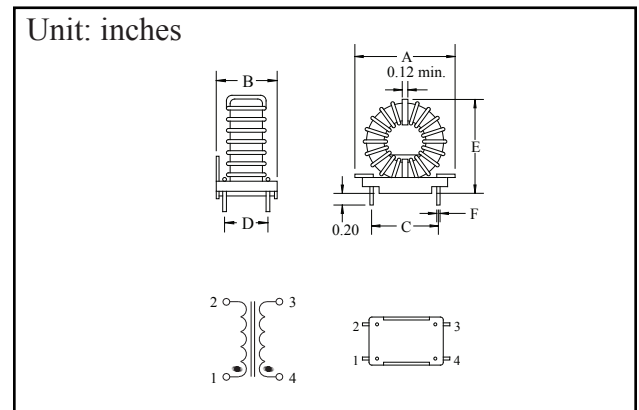
Description: Common mode inductors with header
Applications: EMI suppression capability over wide frequency spectrum
Operating Temperature: -55°C to +105°C
IDC: Rated current which causes approx. 35°C temperature rise
Dielectric Strength: 1500 Vrms
Miscellaneous: **RoHS Compliant.** Single layer wound; coil mounted on VW-1 rated plastic header
Additional Information: Additional electrical & physical information available upon request.
Samples available. See website for ordering information.



CTTCMCF-01~03



CTTCMCF-04~21



SPECIFICATIONS

Part Number	Inductance Min. @ 1kHz (mH)	IDC (A)	DCR Max. (Ω)	Physical Dim.	Physical Dim.	Physical Dim.	Physical Dim.	Physical Dim.	Physical Dim.
				A Max.	B (±0.01)	C (±0.015)	D (±0.015)	E Max.	F Max.
CTTCMCF-01	4	1.7	0.173	0.760	0.425	0.600	0.250	0.90	0.040
CTTCMCF-02	2.5	2.4	0.090	0.760	0.425	0.600	0.250	0.90	0.040
CTTCMCF-03	1	4.8	0.022	0.760	0.425	0.600	0.250	0.90	0.040
CTTCMCF-04	10	2.4	0.170	1.20	0.60	0.800	0.400	1.20	0.050
CTTCMCF-05	7	2.8	0.120	1.20	0.60	0.800	0.400	1.20	0.050
CTTCMCF-06	5	3.7	0.070	1.20	0.60	0.800	0.400	1.20	0.050
CTTCMCF-07	2	6.6	0.022	1.20	0.60	0.800	0.400	1.20	0.050
CTTCMCF-08	1	10.0	0.010	1.20	0.60	0.800	0.400	1.20	0.050
CTTCMCF-09	30	2.3	0.330	1.35	0.80	0.900	0.600	1.45	0.050
CTTCMCF-10	20	2.9	0.210	1.35	0.80	0.900	0.600	1.45	0.050
CTTCMCF-11	12	4.0	0.110	1.35	0.80	0.900	0.600	1.45	0.050
CTTCMCF-12	8	5.6	0.055	1.35	0.80	0.900	0.600	1.45	0.050
CTTCMCF-13	5	8.9	0.022	1.45	0.80	0.900	0.600	1.50	0.043
CTTCMCF-14	2.5	12.5	0.011	1.45	0.80	0.900	0.600	1.50	0.053
CTTCMCF-15	1.2	16.0	0.006	1.50	0.80	0.900	0.600	1.53	0.060
CTTCMCF-16	50	2.3	0.450	1.55	0.80	0.900	0.600	1.65	0.050
CTTCMCF-17	36	2.9	0.300	1.55	0.80	0.900	0.600	1.65	0.050
CTTCMCF-18	7.3	9.3	0.032	1.65	0.80	0.900	0.600	1.65	0.043
CTTCMCF-19	4	14.5	0.012	1.70	0.90	1.200	0.700	1.65	0.060
CTTCMCF-20	2.4	17	0.008	1.70	0.90	1.200	0.700	1.65	0.067
CTTCMCF-21	1	20	0.007	1.70	0.90	1.200	0.700	1.65	0.067