

CTTX504335BF

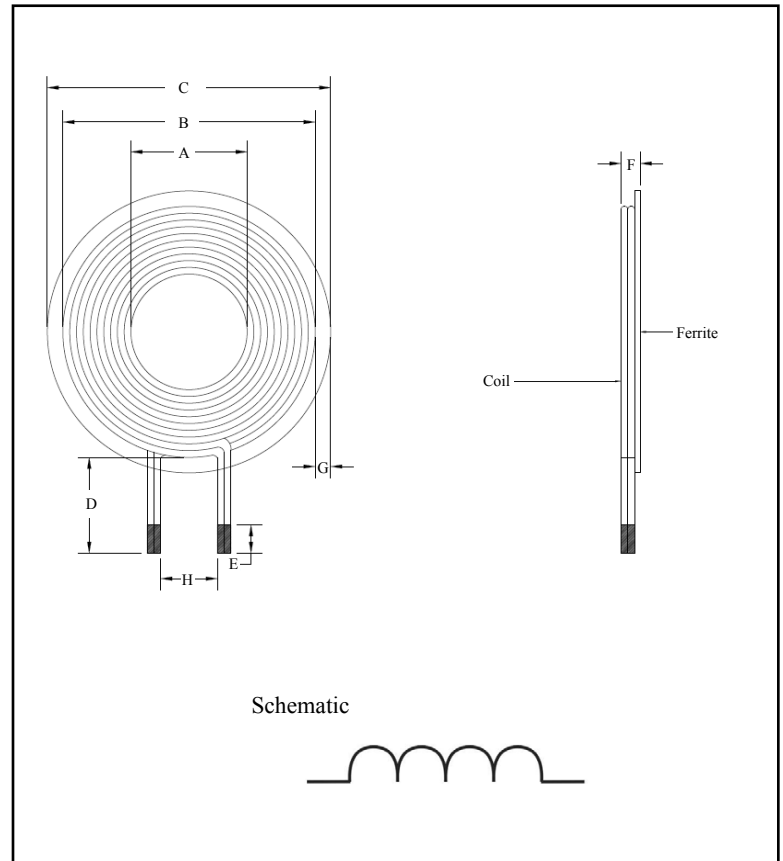
SPECIFICATIONS

Part Number	Inductance ($\mu\text{H} \pm 10\%$)	Test Freq. (Hz)	DCR Max. ($\text{m}\Omega$)	I _{rms} Max. (A)	Qi Design	Winding	Power (W)
CTTX504335BF-6R3K	6.3	100K/1V	25	10.0	A11	Bi-filar	5-15



PHYSICAL DIMENSIONS

Size	A	B	C	D	E	F	G	H
						Max.	Min.	Typ.
mm	20.5±0.5	43.0±0.5	50.0±0.5	17.0±2.0	5.0±2.0	4.0	2.0	10.0
inches	0.81±0.02	1.69±0.02	1.97±0.02	0.67±0.08	0.20±0.08	0.16	0.08	0.39



CHARACTERISTICS

Description: Wireless power charging transmitter coil

Applications: Used in wireless charging systems designed for a wide range of portable consumer electronic products such as mobile phones, tablets, cameras, MP3 players, battery chargers, scanners, gaming industry, etc.

Operating Temperature: -40°C to +85°C

Storage Temperature: -40°C to +85°C (on board)

I_{rms}: Based on temp. rise up to 40°C Max.

Miscellaneous: **RoHS Compliant**

Additional Information: Additional electrical & physical information available upon request

Samples available. See website for ordering information.