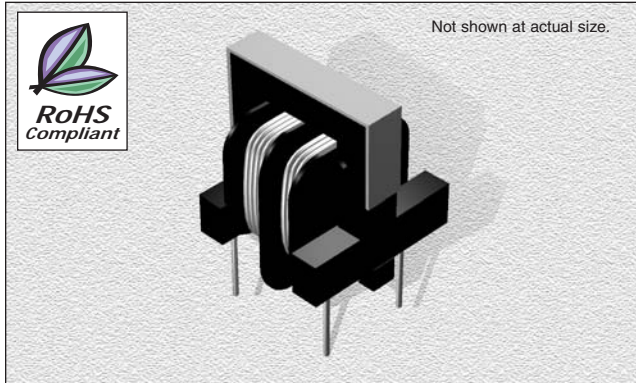


CTUF0917VF Series

From 0.2 mH to 10 mH



CHARACTERISTICS

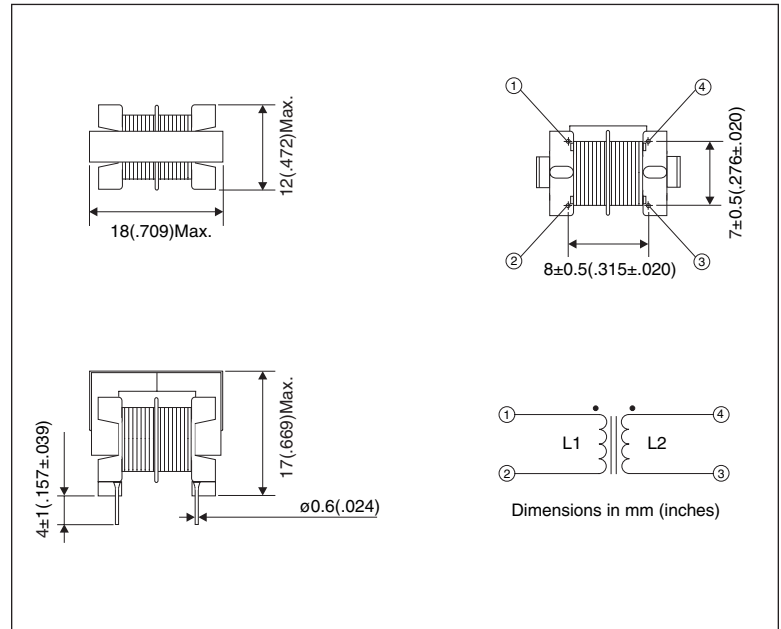
- Description:** Common mode choke coils.
- Applications:** For power supply line.
- Rated Voltage:** 250Vac
- Operating Temperature Range:** -20°C to +105°C including self temperature rise.
- Temperature Rise:** 45°C maximum each line.
- Dielectric Withstanding Voltage: 2000Vac between each winding for 1 minute.
- Insulation Resistance:** 100MΩ minimum between each winding for 1 minute.
- Additional Information:** **RoHS Compliant.** Additional electrical & physical information available upon request. Different inductance and current products are available as well.
- Samples available.** See website for ordering information.

SPECIFICATIONS

* Indicates the inductance difference between the coil L1 and L2.

Part Number	Inductance (Min.) (mH)	Inductance Difference* (μH Max.)	DCR (Max.) (Ω)	Rated Current (Max.) (A)
CTUF0917VF-103MR25	10	200	3.5	0.25
CTUF0917VF-282M0R5	2.8	50	1.0	0.5
CTUF0917VF-132M0R7	1.3	50	0.5	0.7
CTUF0917VF-601M1R0	0.6	25	0.2	1.0
CTUF0917VF-201M1R6	0.2	25	0.1	1.6

PHYSICAL DIMENSIONS



09.21.06