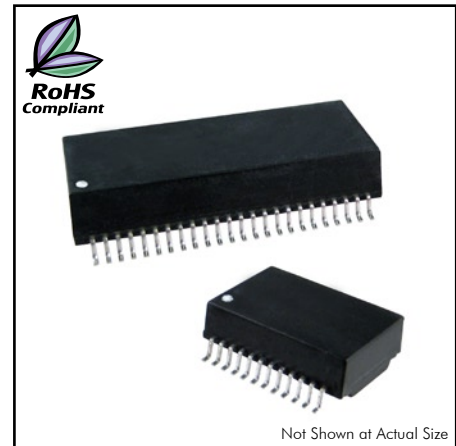


# Gigabit Transformer Modules (SMD)



## FEATURES

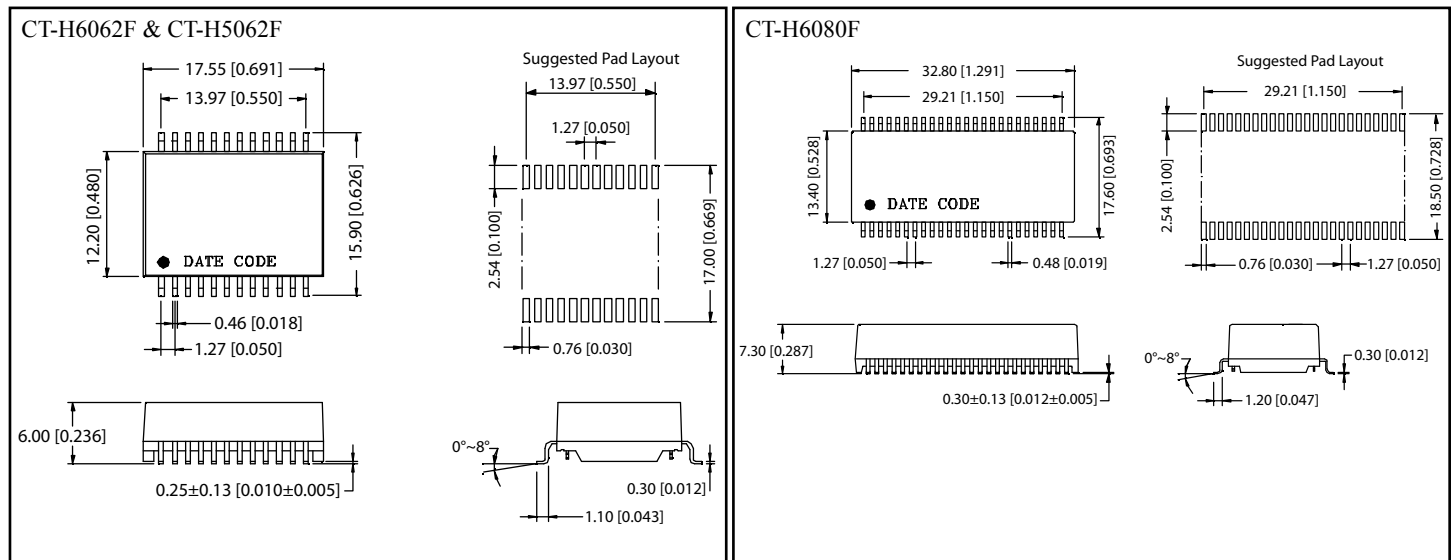
- Comply with RoHS and Halogen Free requirements.
- Operating Temperature: 0°C to +70°C
- Cable interface for isolation and low common mode emissions.
- Suitable for End-span PoE (CT-H6062F and CT-H6080F only.)

**Additional Information:** Additional electrical & physical information available upon request.

**Samples available. See website for ordering information.**

## SPECIFICATIONS

Part Number	Turns Ratio (±5%)		OCL (μH Min.) @ 100KHz/0.1V with 8mA DC Bias	Cross Talk Attenuation (dB Min.)			HI POT (Vrms)	Insertion Loss (dB Max.)	Return Loss (dB Min.) @ Load 100Ω						DCMR (dB Min.)		
	TX	TR		30MHz	60MHz	100MHz			1-100MHz	1-30MHz	40MHz	50MHz	60-80MHz	100MHz	30MHz	60MHz	100MHz
CT-H5062F	1CT:1		350	-45	-40	-35	1500	-1.0	-18	-14.4	-13.1	-12	-10	-43	-37	-33	
CT-H6062F	1CT:1CT	1CT:1CT	350	-45	-40	-35	1500	-1.0	-18	-14.4	-13.1	-12	-10	-43	-37	-33	
CT-H6080F	1CT:1CT	1CT:1CT	350	-40	-35	-30	1500	-1.0	-18	-14.4	-13.1	-12	-10	-43	-37	-33	

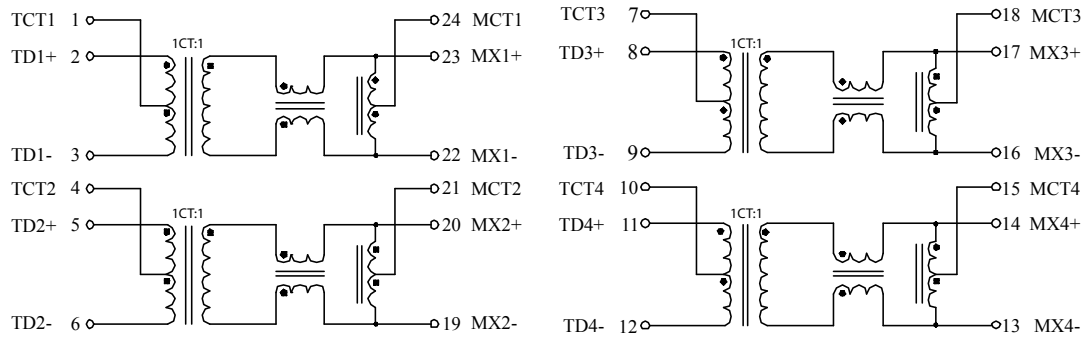


Unit: mm [Inches] Tolerances: xx.x0 ± 0.25 [0.010]  
0.xx±0.05 [0.002]

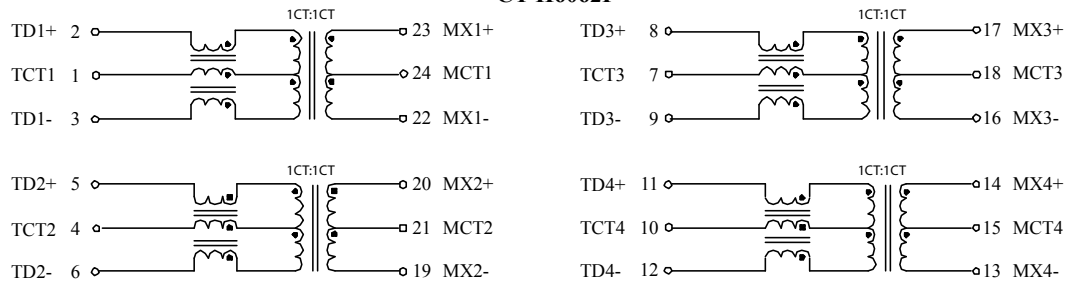
## Gigabit Transformer Modules (SMD)

### SCHEMATICS

#### CT-H5062F



#### CT-H6062F



#### CT-H6080F

