

CTCDRH8D43F Series

From 2.5 μH to 100 μH



CHARACTERISTICS

Description: SMD (shielded) power inductor.

Applications: Power supplies for OA equipment, LCD televisions, PC notebooks, portable communication equipment, DC/DC converters, etc.

Operating Temperature: -30°C to +100°C

Rated DC Current: Indicates the current when the inductance decreases to 65% over its nominal value or D.C. current when the temperature rising $\Delta T=40^\circ\text{C}$ lower, whichever is lower.

Inductance Tolerance: $\pm 30\%$

Testing: Tested on a HP4285A at 100KHz, 0.25Vrms, 0A dc.

Packaging: Tape & Reel.

Marking: Parts are marked with inductance code.

Miscellaneous: RoHS Compliant.

Additional Information: Additional electrical & physical information available upon request.

Samples available. See website for ordering information.

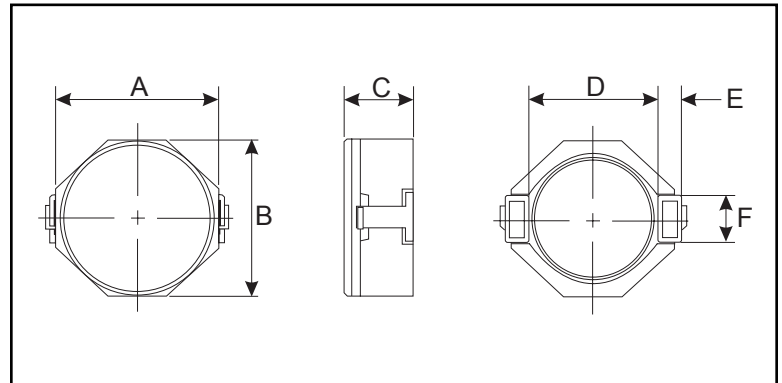
SPECIFICATIONS

Part are available in $\pm 30\%$ inductance tolerance only.

Part Number	Inductance (μH)	L Test Freq. (KHz)	DCR Max. (m Ω)	Rated DC Current (A)
CTCDRH8D43F-2R5N	2.5	100	14	6.4
CTCDRH8D43F-3R9N	3.9	100	19	5.0
CTCDRH8D43F-4R7N	4.7	100	22	4.6
CTCDRH8D43F-6R8N	6.8	100	25	4.2
CTCDRH8D43F-100N	10	100	36	3.6
CTCDRH8D43F-150N	15	100	53	2.6
CTCDRH8D43F-220N	22	100	75	2.1
CTCDRH8D43F-330N	33	100	125	1.6
CTCDRH8D43F-470N	47	100	150	1.4
CTCDRH8D43F-680N	68	100	240	1.2
CTCDRH8D43F-101N	100	100	360	0.9

PHYSICAL DIMENSIONS

Size	A Max.	B Max.	C Max.	D	E	F
mm	8.3	8.3	4.7	6.3	1.2	2.5
inches	0.327	0.327	0.185	0.248	0.047	0.098



PAD LAYOUT

