

CTDLW31SF Series

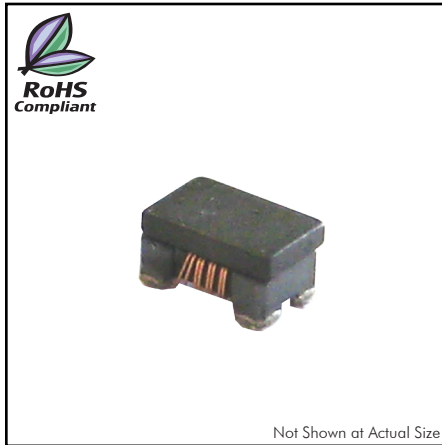
From 90Ω to 600Ω

SPECIFICATIONS

Part Number	Common Mode Imp. @100MHz (Ω)	DCR Max. (Ω)	Rated Current (mA)	Rated Voltage (Vdc)	Withstand Voltage (Vdc)	Insulation Resis. Min. (Ω)
CTDLW31SF-90T04	90±25%	0.30	400	50	125	10M
CTDLW31SF-161T03	160±25%	0.40	350	50	125	10M
CTDLW31SF-221T03	220±25%	0.50	350	50	125	10M
CTDLW31SF-551T03	550±25%	0.75	300	50	125	10M
CTDLW31SF-601T03	600±25%	0.80	260	50	125	10M

PHYSICAL DIMENSIONS

Size	A	B	C	D
mm	3.2±0.2	1.6±0.2	2.0±0.2	Typ. 0.6
inches	0.125±0.008	0.063±0.008	0.079±0.008	0.024



CHARACTERISTICS

Description: SMD wire wound common mode choke coils for signal lines

Applications: Suitable for radiation noise suppression for any electronic devices. Used to counter common mode noise interference within high speed signal lines. Applications like: USB 2.0 line for personal computers and peripheral devices, IEEE1394 line for personal computers, DVC etc. and LVDS, panel link line for crystal display panels

Operating Temperature: -55°C to +125°C

Testing: Impedance is tested on a HP4587A at 100MHz

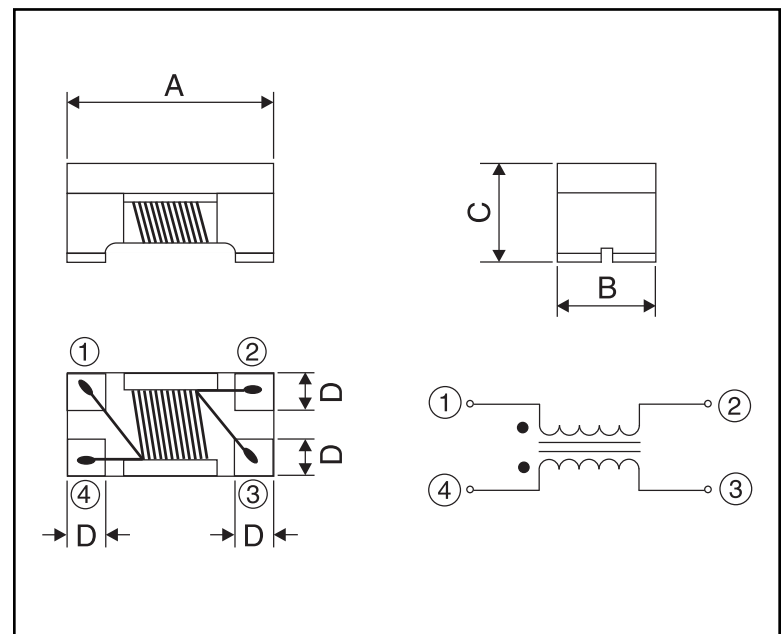
Packaging: Tape & Reel

Marking: Reels marked with part number

Additional Information: Additional electrical & physical information available upon request

Miscellaneous: RoHS Compliant

Samples available. See website for ordering information.



PAD LAYOUT

