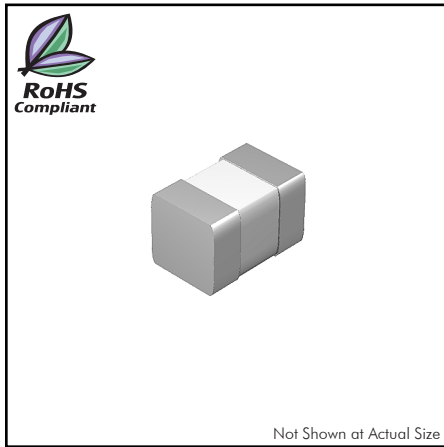


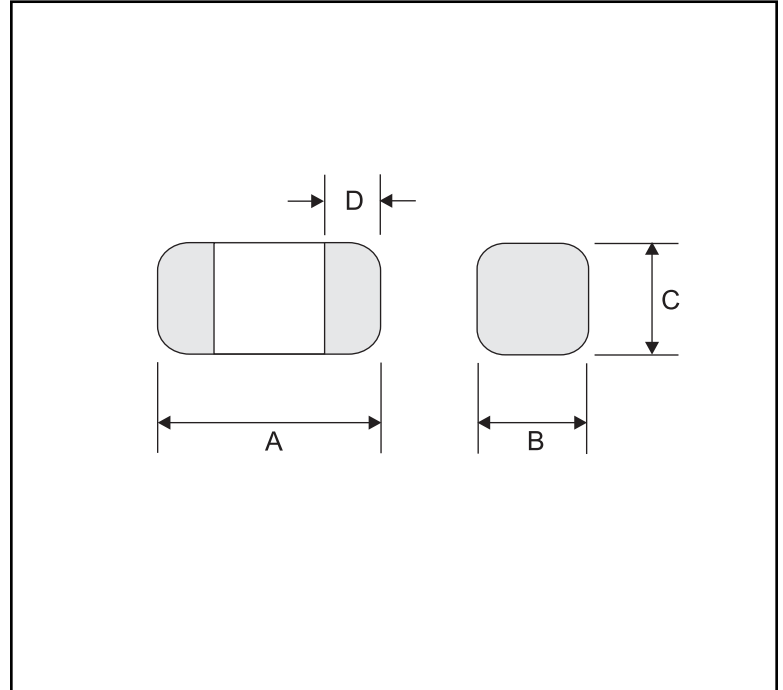
CTLL1608SF Series

From 1.0nH to 470nH



PHYSICAL DIMENSIONS

Size	A	B	C	D
mm	1.60±0.20	0.80±0.20	0.80±0.20	0.3±0.20
inches	0.06 ± 0.008	0.03 ± 0.008	0.03 ± 0.008	0.01 ± 0.008



CHARACTERISTICS

Description: SMD ceramic core, multi-layer chip inductor for high frequency.

Applications: Cellular telephones, bluetooth, computer communications, radar detectors, automotive electronics, WLAN, UWB, digital TV tuners, keyless remotes and miscellaneous high-frequency circuits.

Operating Temperature: -55°C to +125°C

Inductance Tolerance: S = ±0.3nH, J = ±5%, K = ±10%

Packaging: Tape & Reel.

Miscellaneous: RoHS Compliant.

Additional Information: Additional electrical & physical information available upon request.

Samples available. See website for ordering information.

Multi-layer Chip Inductors - Ceramic

www.ctparts.com

SPECIFICATIONS

Please specify tolerance code when ordering.
 CTLL1608SF-6N8_ ← J = ±5%, K = ±10%

Part Number	Inductance (nH)	Available Tolerance	Q Min.	L/Q Test Freq. (MHz)	Q Typ. @ 100MHz	Q Typ. @ 800MHz	Q Typ. @ 1000MHz	SRF Min. (GHz)	DCR Max. (Ω)	IDC Max. (mA)
CTLL1608SF-1N0S	1.0	±0.3nH	8	100	13	70	80	10.00	0.05	500
CTLL1608SF-1N2S	1.2	±0.3nH	8	100	13	60	70	10.00	0.05	500
CTLL1608SF-1N5S	1.5	±0.3nH	8	100	13	47	68	6.00	0.10	500
CTLL1608SF-1N8S	1.8	±0.3nH	8	100	13	45	61	6.00	0.10	500
CTLL1608SF-2N2S	2.2	±0.3nH	8	100	13	45	60	6.00	0.10	500
CTLL1608SF-2N7S	2.7	±0.3nH	10	100	13	44	55	6.00	0.12	500
CTLL1608SF-3N3S	3.3	±0.3nH	10	100	13	43	50	6.00	0.15	500
CTLL1608SF-3N9S	3.9	±0.3nH	10	100	13	43	50	6.00	0.16	500
CTLL1608SF-4N7S	4.7	±0.3nH	10	100	13	43	50	6.00	0.20	500
CTLL1608SF-5N6S	5.6	±0.3nH	10	100	14	42	48	5.00	0.25	500
CTLL1608SF-6N8_	6.8	±5%, ±10%	10	100	14	43	50	5.00	0.30	500
CTLL1608SF-8N2_	8.2	±5%, ±10%	10	100	14	43	48	4.50	0.35	500
CTLL1608SF-10N_	10	±5%, ±10%	12	100	15	45	50	3.50	0.40	300
CTLL1608SF-12N_	12	±5%, ±10%	12	100	18	48	50	3.00	0.45	300
CTLL1608SF-15N_	15	±5%, ±10%	12	100	18	48	50	2.30	0.50	300
CTLL1608SF-18N_	18	±5%, ±10%	12	100	16	48	51	2.20	0.55	300
CTLL1608SF-22N_	22	±5%, ±10%	12	100	16	45	48	2.00	0.60	300
CTLL1608SF-27N_	27	±5%, ±10%	12	100	16	45	45	1.70	0.65	300
CTLL1608SF-33N_	33	±5%, ±10%	12	100	16	45	41	1.50	0.70	300
CTLL1608SF-39N_	39	±5%, ±10%	12	100	17	40	48	1.40	0.70	300
CTLL1608SF-47N_	47	±5%, ±10%	12	100	17	35	35	1.20	0.70	300
CTLL1608SF-56N_	56	±5%, ±10%	12	100	17	35	30	1.10	0.75	300
CTLL1608SF-68N_	68	±5%, ±10%	12	100	17	30	20	0.90	0.85	300
CTLL1608SF-82N_	82	±5%, ±10%	8	100	15	22	-	0.80	1.00	300
CTLL1608SF-R10_	100	±5%, ±10%	8	100	15	16	-	0.70	1.20	300
CTLL1608SF-R12_	120	±5%, ±10%	8	50	15	-	-	0.60	1.40	200
CTLL1608SF-R15_	150	±5%, ±10%	8	50	15	-	-	0.50	1.60	200
CTLL1608SF-R18_	180	±5%, ±10%	8	50	15	-	-	0.40	1.90	200
CTLL1608SF-R22_	220	±5%, ±10%	8	50	15	-	-	0.35	2.40	200
CTLL1608SF-R27_	270	±5%, ±10%	8	50	16	-	-	0.35	2.60	150
CTLL1608SF-R33_	330	±5%, ±10%	8	50	16	-	-	0.35	2.80	150
CTLL1608SF-R39_	390	±5%, ±10%	8	50	16	-	-	0.30	3.20	150
CTLL1608SF-R43_	430	±5%, ±10%	8	50	16	-	-	0.28	3.40	150
CTLL1608SF-R47_	470	±5%, ±10%	8	50	15	-	-	0.25	3.60	150