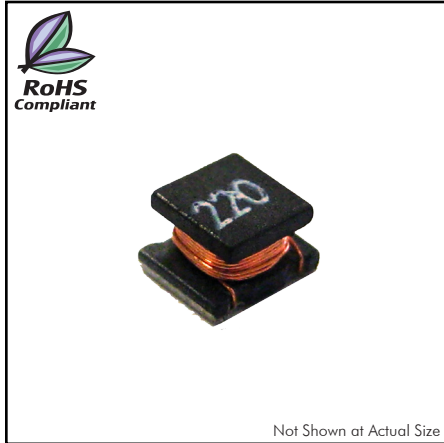


CTLQ1206CF Series

From 0.12µH to 100µH



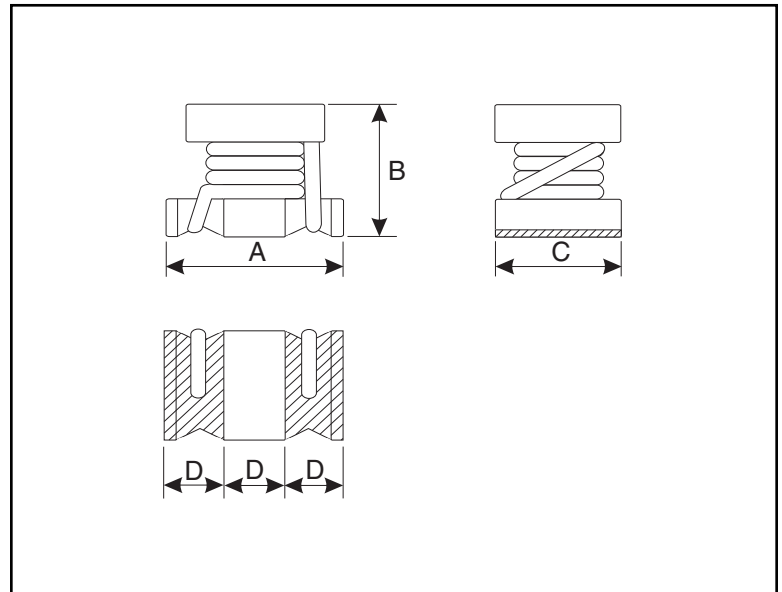
SPECIFICATIONS

Please specify tolerance code when ordering.
 CTLQ1206CF-4R7_ ← J = ±5%, K = ±10%, M = ±20%
 *K or M only

Part Number	Inductance (µH)	L Test Freq. (MHz)	SRF Min. (MHz)	DCR Max. (Ω)	Allowable Current (mA)
CTLQ1206CF-R12M	0.12	1.0	250	0.112	970
CTLQ1206CF-R22M	0.22	1.0	250	0.140	850
CTLQ1206CF-R47M	0.47	1.0	180	0.210	700
CTLQ1206CF-1R0M	1.0	1.0	100	0.364	510
CTLQ1206CF-2R2M	2.2	1.0	50	0.533	430
CTLQ1206CF-4R7_*	4.7	1.0	31	0.845	340
CTLQ1206CF-100_	10	1.0	20	1.69	230
CTLQ1206CF-220_	22	1.0	14	3.90	160
CTLQ1206CF-470_	47	1.0	10	10.4	100
CTLQ1206CF-101_	100	1.0	7	15.6	80

PHYSICAL DIMENSIONS

Size	A	B	C	D
mm	3.20±0.30	1.80±0.30	1.60±0.30	Min. 0.7
inches	0.126±0.012	0.071±0.012	0.063±0.012	0.028



CHARACTERISTICS

Description: SMD wire-wound chip inductors

Applications: Power supplies for VTR, OA equipment, LCD televisions, PC notebooks, portable communication equipment, DC/DC converters, etc.

Operating Temperature: -25°C to +85°C

Inductance Tolerance: J = ±5%, K = ±10% & M = ±20%

Packaging: Tape & Reel

Testing: Tested on a HP4285A @ specified frequency

Allowable Current: Self temperature rise shall be limited 35°C max. Inductance drop 10% typ. at this rated current

Miscellaneous: RoHS Compliant

Additional Information: Additional electrical & physical information available upon request

Samples available. See website for ordering information.