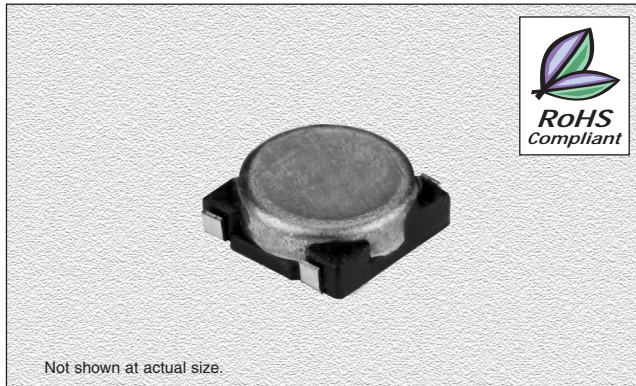


CTMBT5016F-4512



APPLICATIONS

- Cellular Phones
- Pagers
- Communication Equipment
- Household Appliances
- Security and Electronic Devices

FEATURES

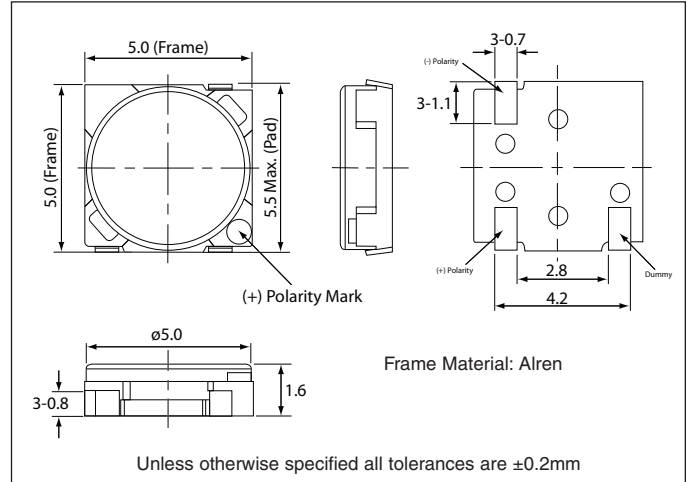
- Small and slim size
- Designed for reflow process
- Tape and reel packaging for auto mounting

ELECTRICAL CHARACTERISTICS

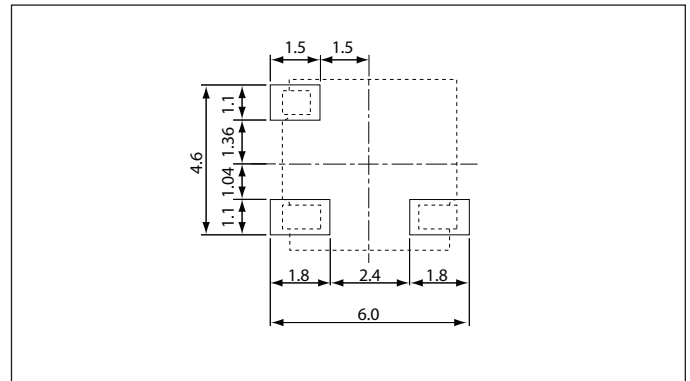
Specifications		Conditions
Rated Voltage	3.0V _{o-p}	
Operating Voltage	2.0V ~ 4.0V _{o-p}	
Rated Current	100mA Max.	
Coil Resistance	12Ω ±3	
Sound Pressure Level (at 10cm)	78dBA Min. 80dBA Typ.	f=4.5kHz, Vp-p=3.0Vdc 1/2 Duty Square Wave
Resonant Frequency	4.5kHz	
Operating Temperature	-30°C to +70°C	
Storage Temperature	-40°C to +85°C	

Note: All data at 25°C, Humidity 40%~80% unless otherwise specified.

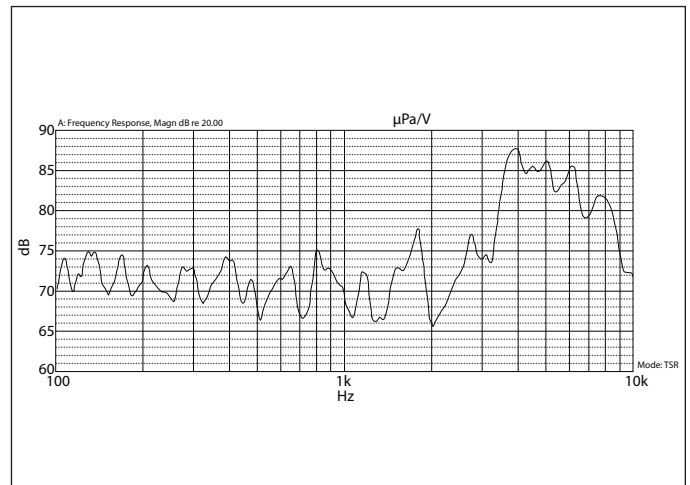
Physical Dimensions (mm)



Recommended PCB Layout (mm)



Frequency Response Curve



08.12.09